



Electrical Circuit Diagrams

CONTENTS

ELECTRICAL CIRCUIT DIAGRAMS

POWER DISTRIBUTION	SEAT BELT WARNING	37.1	INDICATORS AND HAZARDS	44.1
Fuse boxes				
Headers & splices.....	AIR CONDITIONING	38.1	INTERIOR LAMPS	45.1
GROUND DISTRIBUTION	HEATER BLOWER.....	39.1	INTERIOR ILLUMINATION	46.1
Headers & splices.....	HEATED REAR WINDOW	40.1	INSTRUMENTS	47.1
ENGINE IMMOBILISATION	WIPERS AND WASHERS.....	42.1	CLOCK	48.2
CHARGING AND STARTING	EXTERIOR LAMPS		CIGAR LIGHTER	49.1
	Brake and reverse lamps.....	43.1		
ENGINE MANAGEMENT SYSTEM	Head, side, tail & number plate lamps	43.2	IN-CAR ENTERTAINMENT	50.1
	Lights on alarm	43.3	IGNITION AND SHIFT INTERLOCK.....	51.1

COLOUR CODES**DRAADKLEURCODES****CODES DES COULEURS DES FILS****KABELFARBCODES****CODICI COLORI DEI CAVI****CÓDIGOS DE COLORES DE LOS CABLES****CÓDIGOS DAS CORES DOS FIOS**

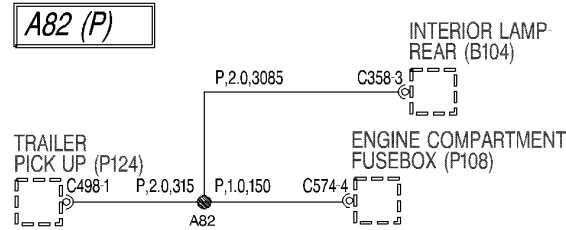
CODE COLOUR	CODE KLEUR	CODE COULEUR	CODE FARBE	CODICE COLORE	CODIGO COLOR	CÓDIGO COR
B BLACK	B ZWART	B NOIR	B SCHWARZ	B NERO	B NEGRO	B PRETO
G GREEN	G GROEN	G VERT	G GRÜN	G VERDE	G VERDE	G VERDE
K PINK	K ROZE	K ROSE	K ROSA	K ROSA	K ROSA	K ROSA
LG LIGHT GREEN	LG LICHTGROEN	LG VERT CLAIR	LG HELLGRÜN	LG VERDE CHIARO	LG VERDE CLARO	LG VERDE CLARO
N BROWN	N BRUIN	N BRUN	N BRAUN	N MARRONE	N MARRON	N CASTANHO
O ORANGE	O ORANJE	O ORANGE	O ORANGE	O ARANCIONE	O NARANJA	O LARANJA
P PURPLE	P PAARS	P VIOLET	P LILA	P PORPORA	P PURPURA	P ROXO
R RED	R ROOD	R ROUGE	R ROT	R ROSSO	R ROJO	R VERMELHO
S SLATE (grey)	S LEIGRIJS	S GRIS	S GRAU	S ARDESIA (grigio)	S PIZARRA (gris)	S CINZENTO
U BLUE	U BLAUW	U BLEU	U BLAU	U BLU	U AZUL	U AZUL
W WHITE	W WIT	W BLANC	W WEISS	W BIANCO	W BLANCO	W BRANCO
Y YELLOW	Y GEEL	Y JAUNE	Y GELB	Y GIALLO	Y AMARILLO	Y AMARELO

HOW TO USE THE CIRCUIT DIAGRAMS

All of the information in this folder is intended for use with the Electrical Reference Library booklet. The circuit diagrams are presented with Power and Ground distribution first, followed by individual circuits for each electrical system on the car.

Power Distribution

The Power Distribution diagram shows the connections from the battery to the engine and passenger compartment fuse boxes. It also shows the internal circuitry of the fuse boxes.



These fuse box details are followed by a 'Headers and Splices' section outlining the way in which internal harness splices and header joints distribute power in the harnesses. This information should be used during diagnosis of electrical faults to check for symptoms in associated circuits and narrow down the search area.

Headers and splices

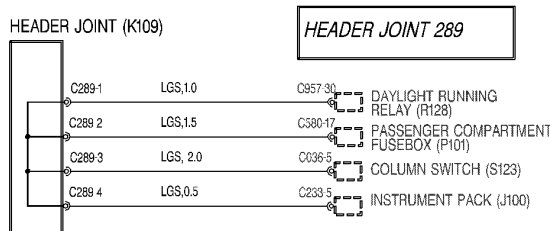
Header and splice tables present the joint(s) and wiring up to the first component. Splices are identified by a number with an alphabetical prefix and the wire color. This identification is shown in the heading of each table.

Wire Attributes

Additional information (separated by a “;”) is shown alongside the wire color:

- Wire gauge - the cross-sectional area of the wire in square millimetres. This is included to help you select the correct wire during harness repair.
- Wire length (Power & Ground Distribution only) - the length of the wire in millimetres. This can be used to locate internal harness splices; look for the shortest wire between the joint and connector. For example, it can be seen that C574-4 is 150mm from joint A82.

Connectors



Header joints are identified by their corresponding connector number with a numbered suffix to indicate the pin-out detail of the wire, i.e. C289-1 identifies connector 289, pin number 1. Wire insulation color is identified in the normal way. Where wires have a predominant color with a secondary color stripe, the main color is identified first, i.e. LGS - Light Green with a Slate stripe.

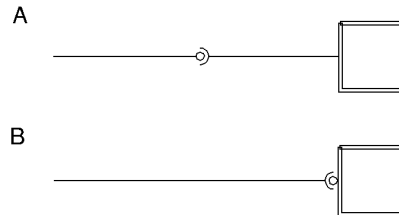
Ground Distribution

The ground distribution section comprises a number of 'Headers and Splices' tables. These are used in a similar manner to those in Power Distribution; to narrow the search area by checking for fault symptoms in associated circuits.

Line Types



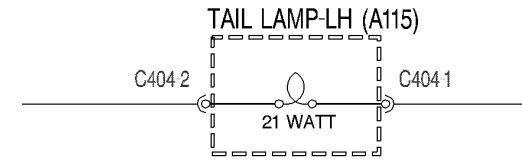
This means the wire connects to another circuit.



The 'cup and ball' symbol indicates the male and female halves of the connector.

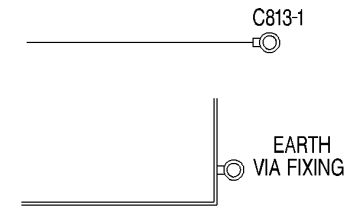
- Plug on lead (fly lead), wired directly to the component.
- Connector plugs directly into circuit.

Components



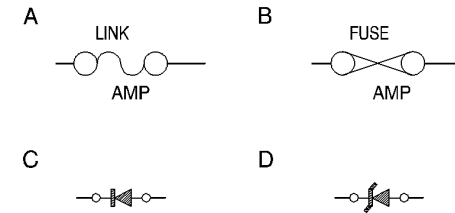
The name, or a description of the component is shown. A dotted outline indicates that the component is not shown in its entirety.

Ground Points



Ground points are identified with an eyelet symbol and a connector number, except where components are grounded through their fixings, when only the eyelet is shown.

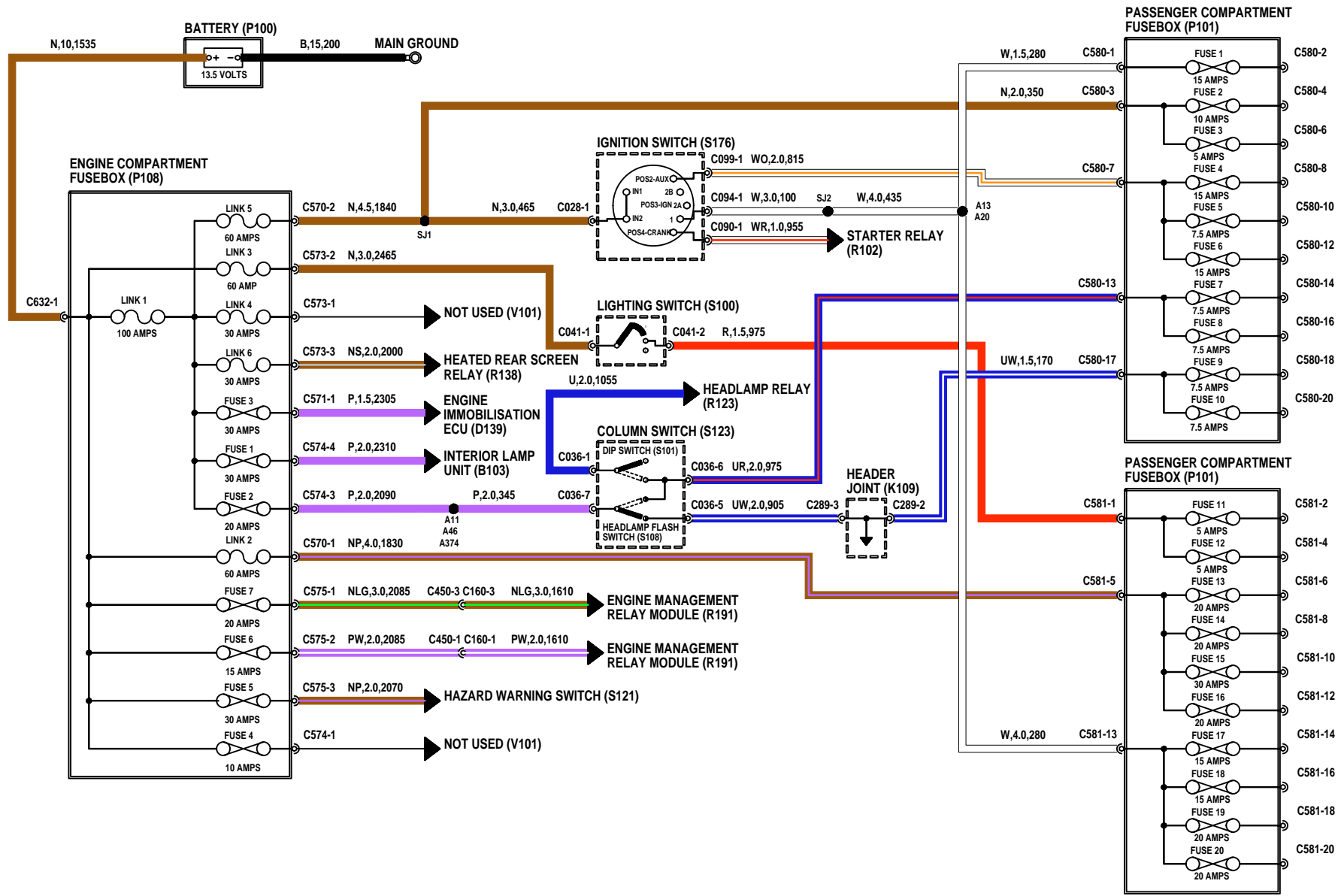
Fuses and Diodes



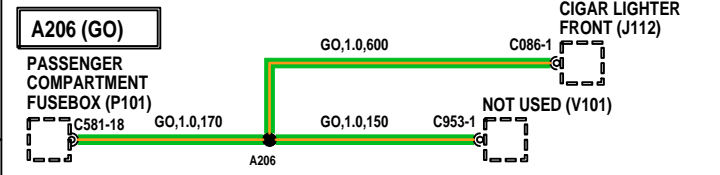
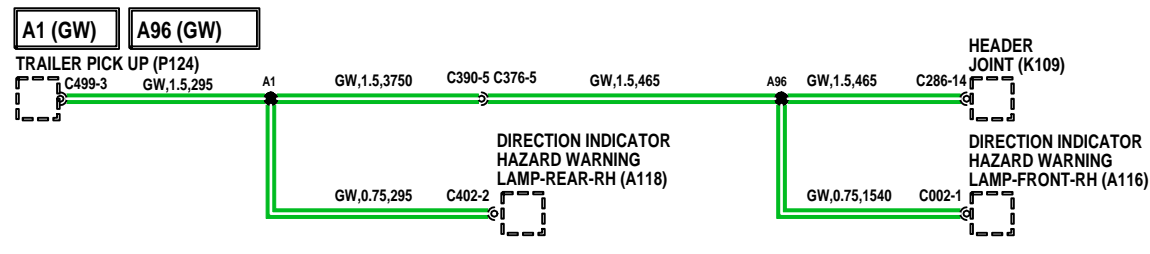
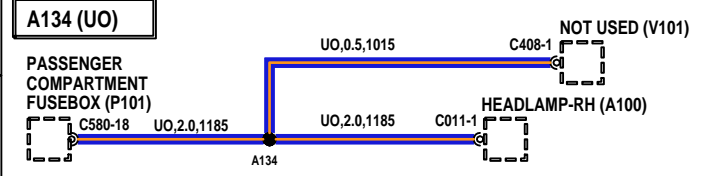
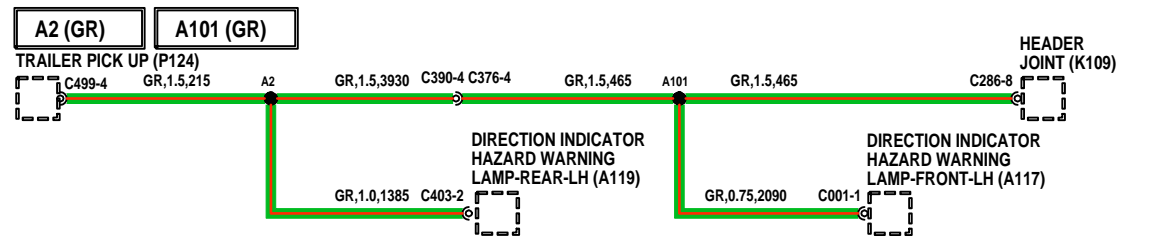
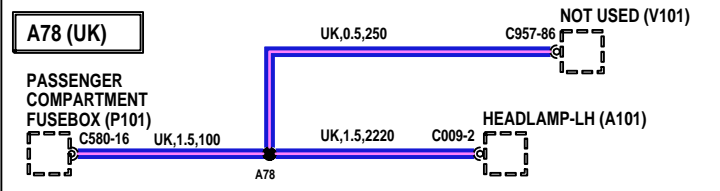
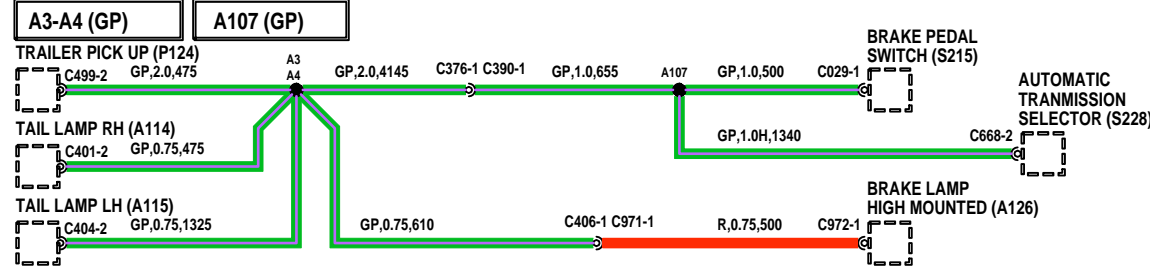
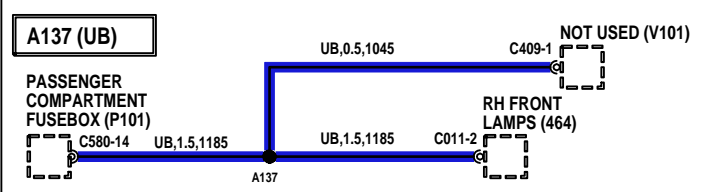
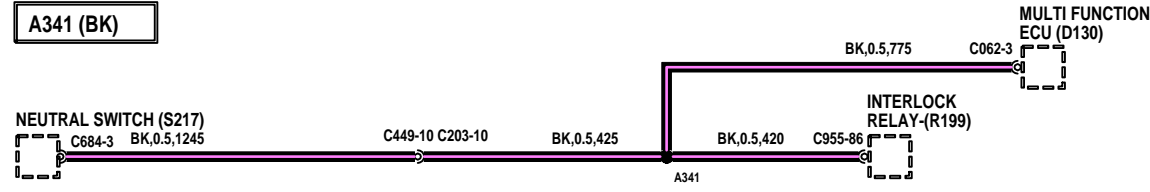
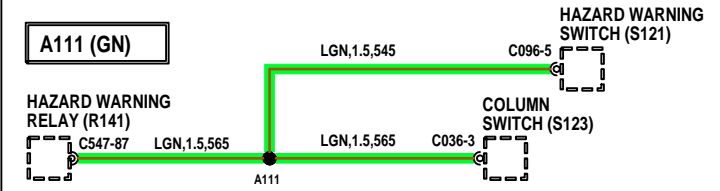
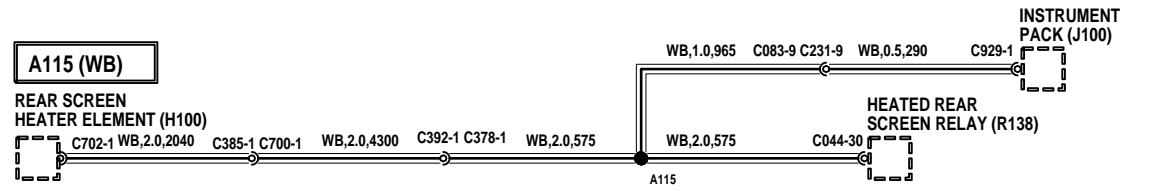
Fusible links (A) and current rated fuses (B), are identified as shown.

The direction of the 'arrow' in a Diode symbol (C) indicates the direction of current flow. The Zener Diode (D) prevents current flow until a precise voltage is reached.

POWER DISTRIBUTION FUSEBOXES

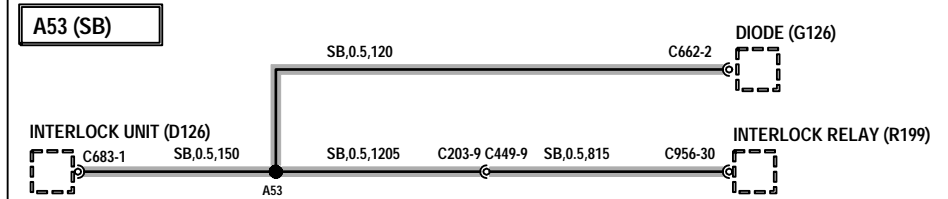
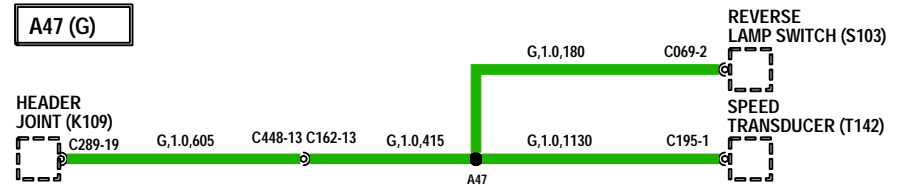
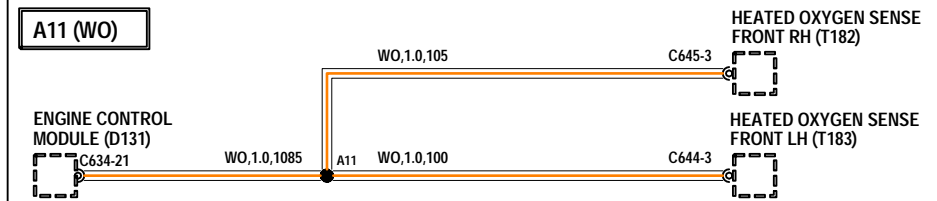
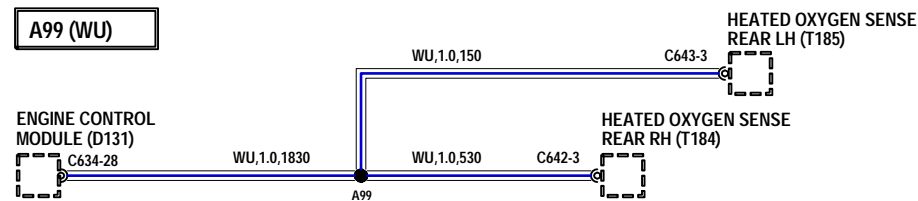
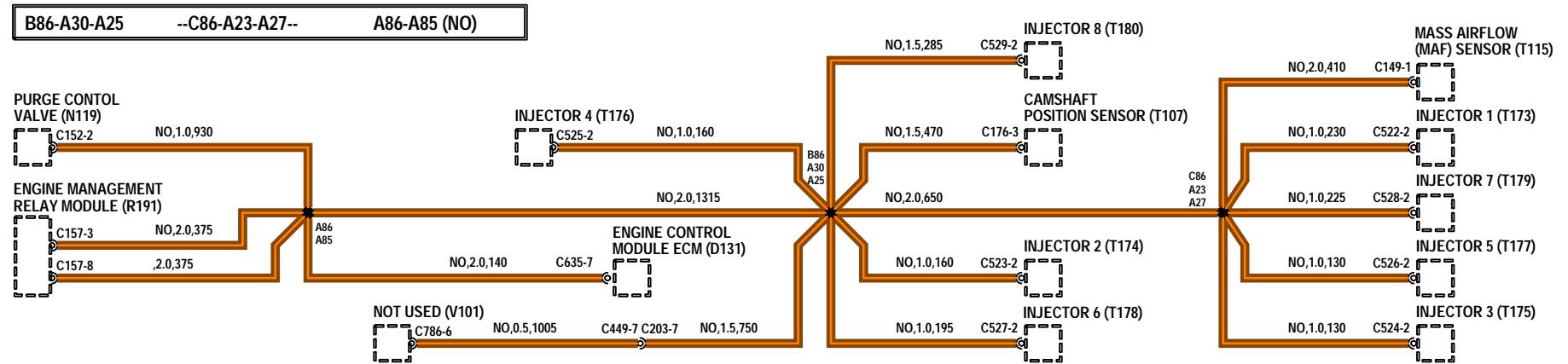
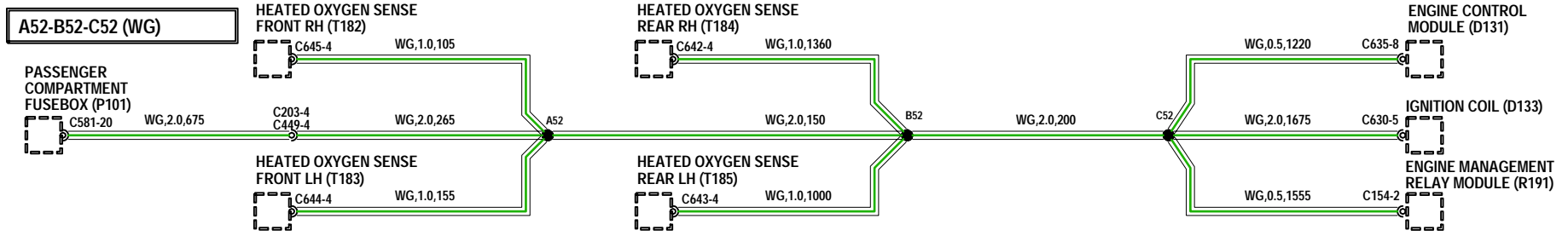


POWER DISTRIBUTION HEADERS AND SPLICES

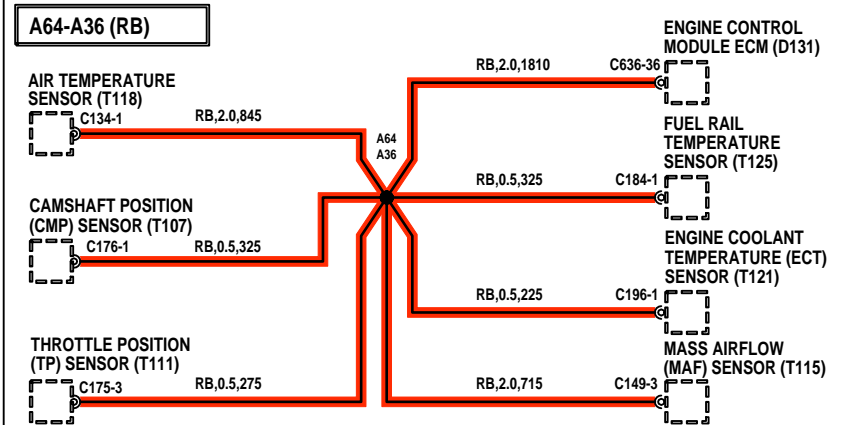
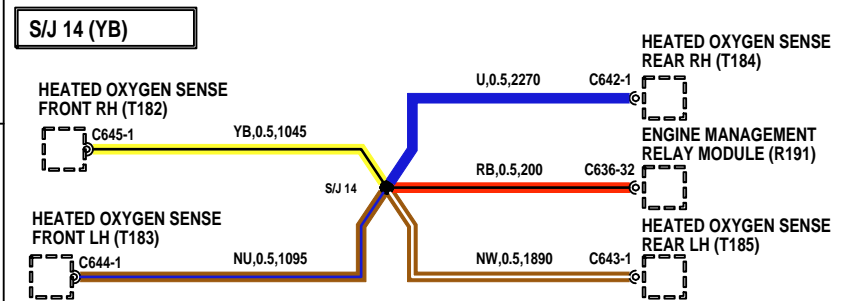
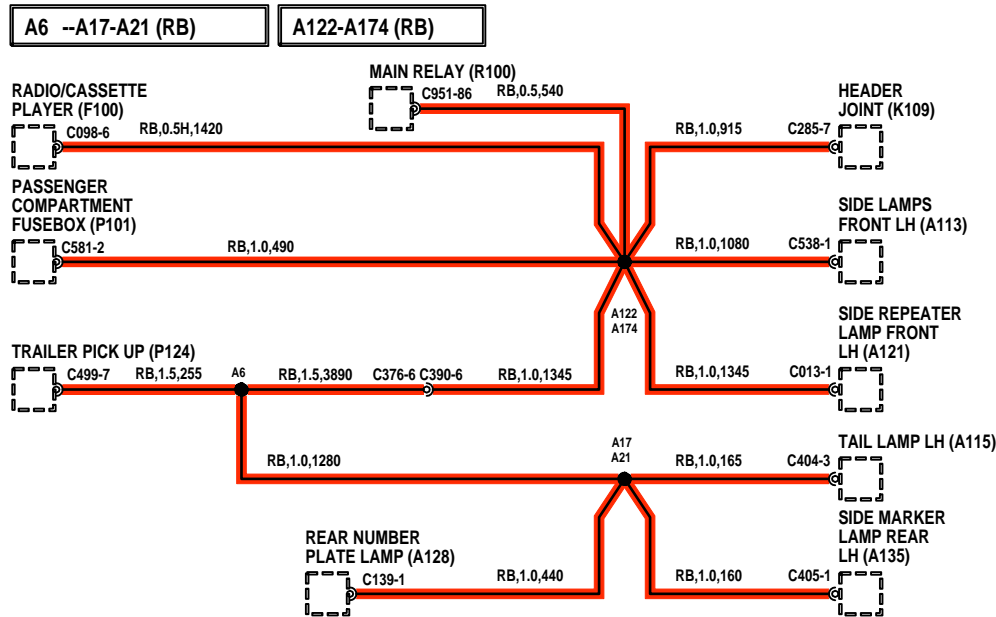
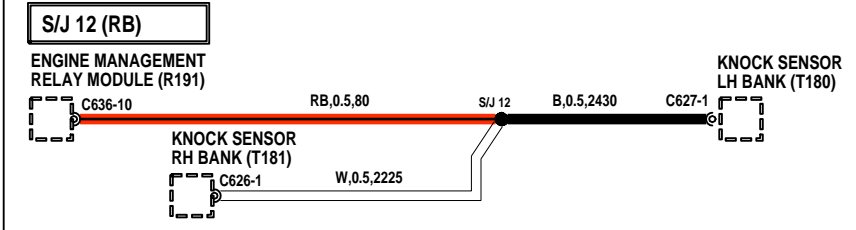
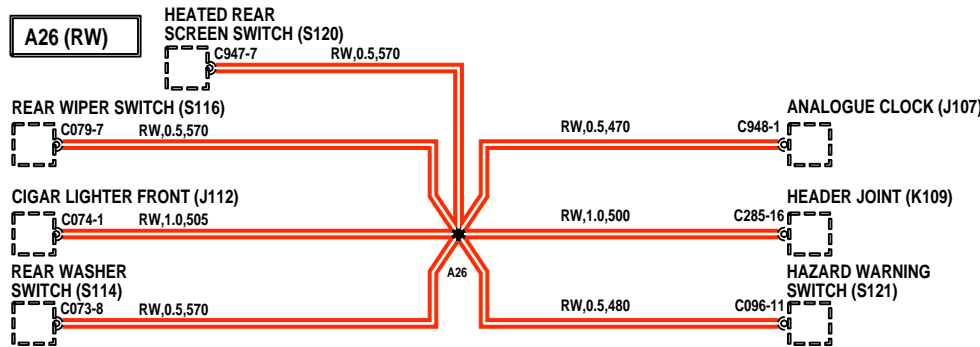
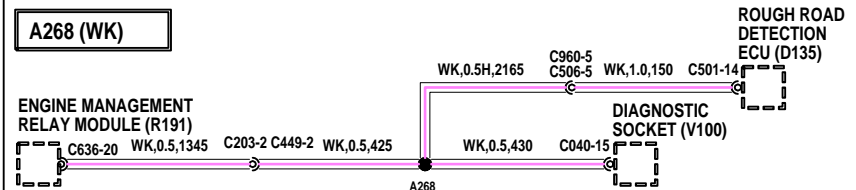
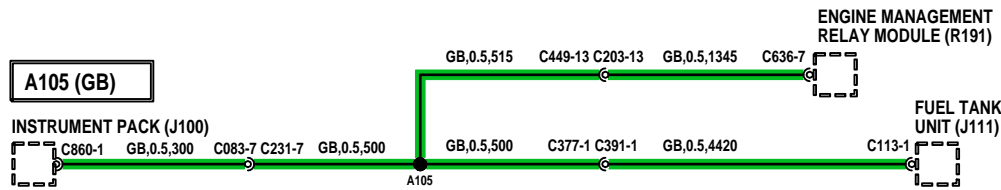


POWER DISTRIBUTION

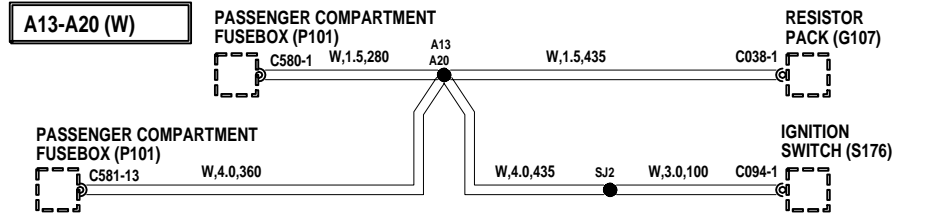
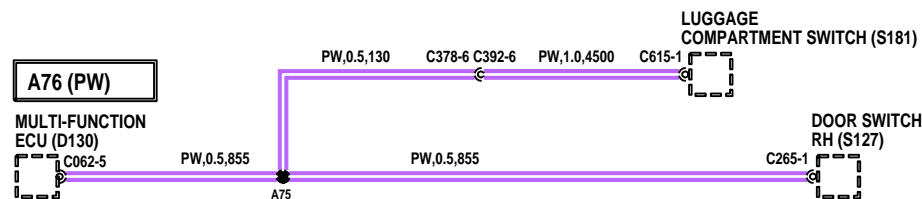
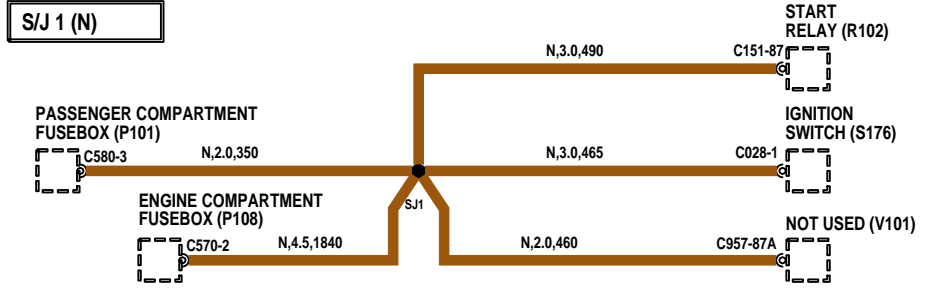
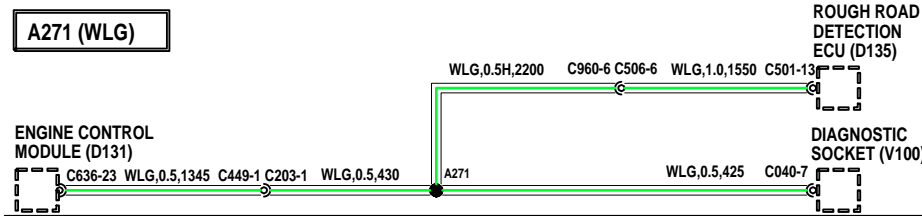
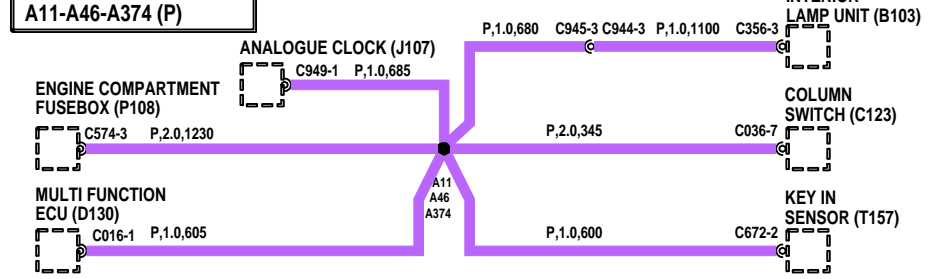
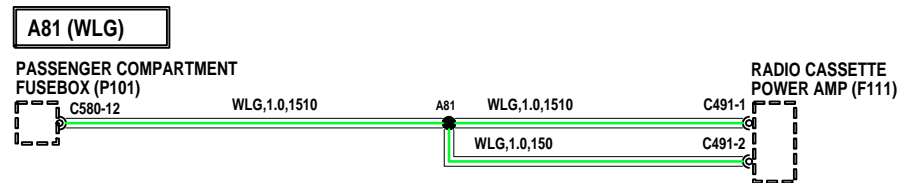
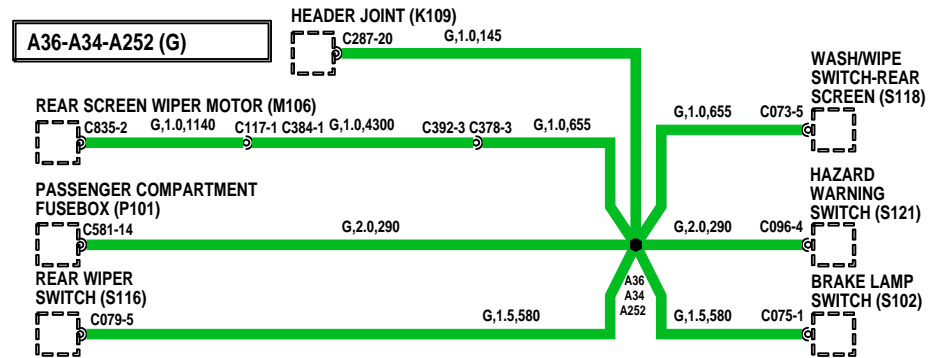
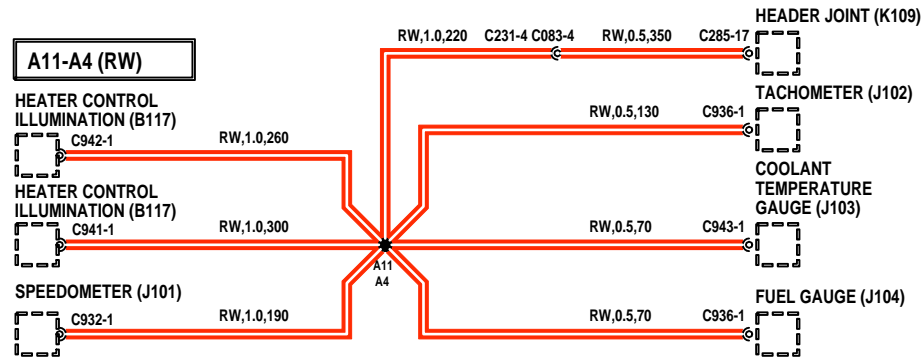
HEADERS AND SPLICES



POWER DISTRIBUTION HEADERS AND SPLICES

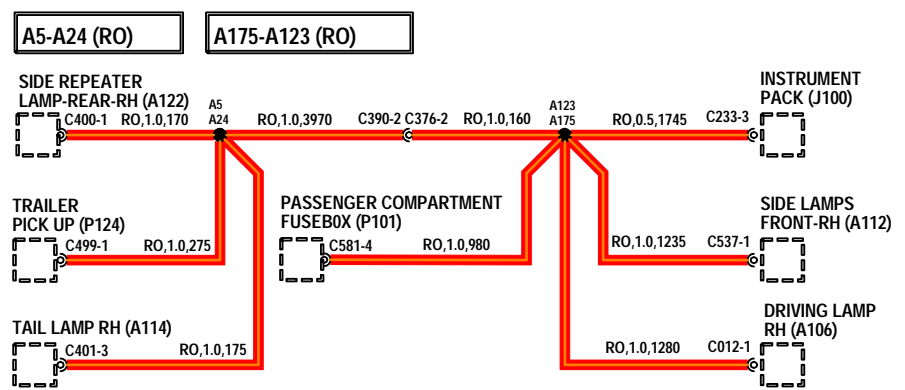
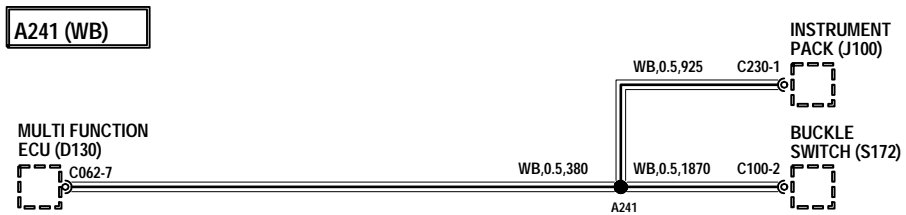
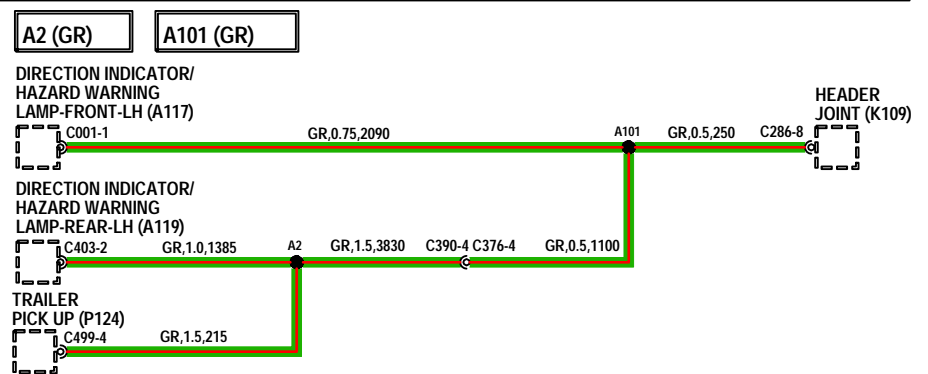
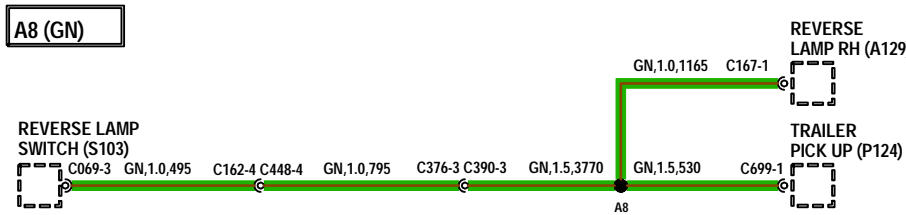
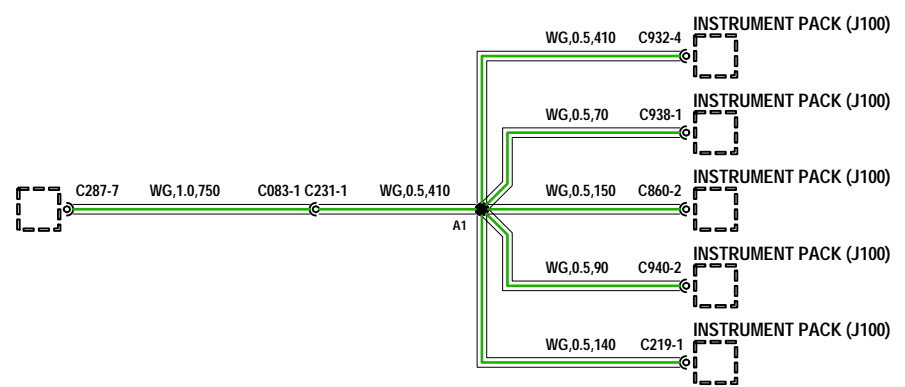
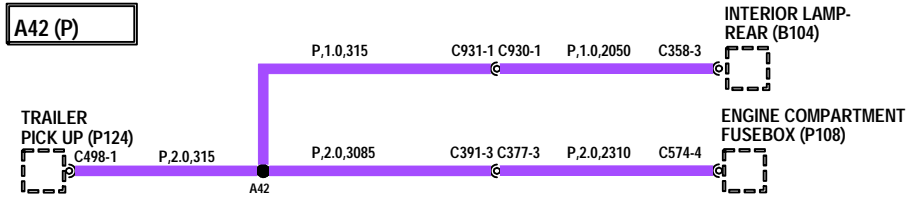


POWER DISTRIBUTION HEADERS AND SPLICES



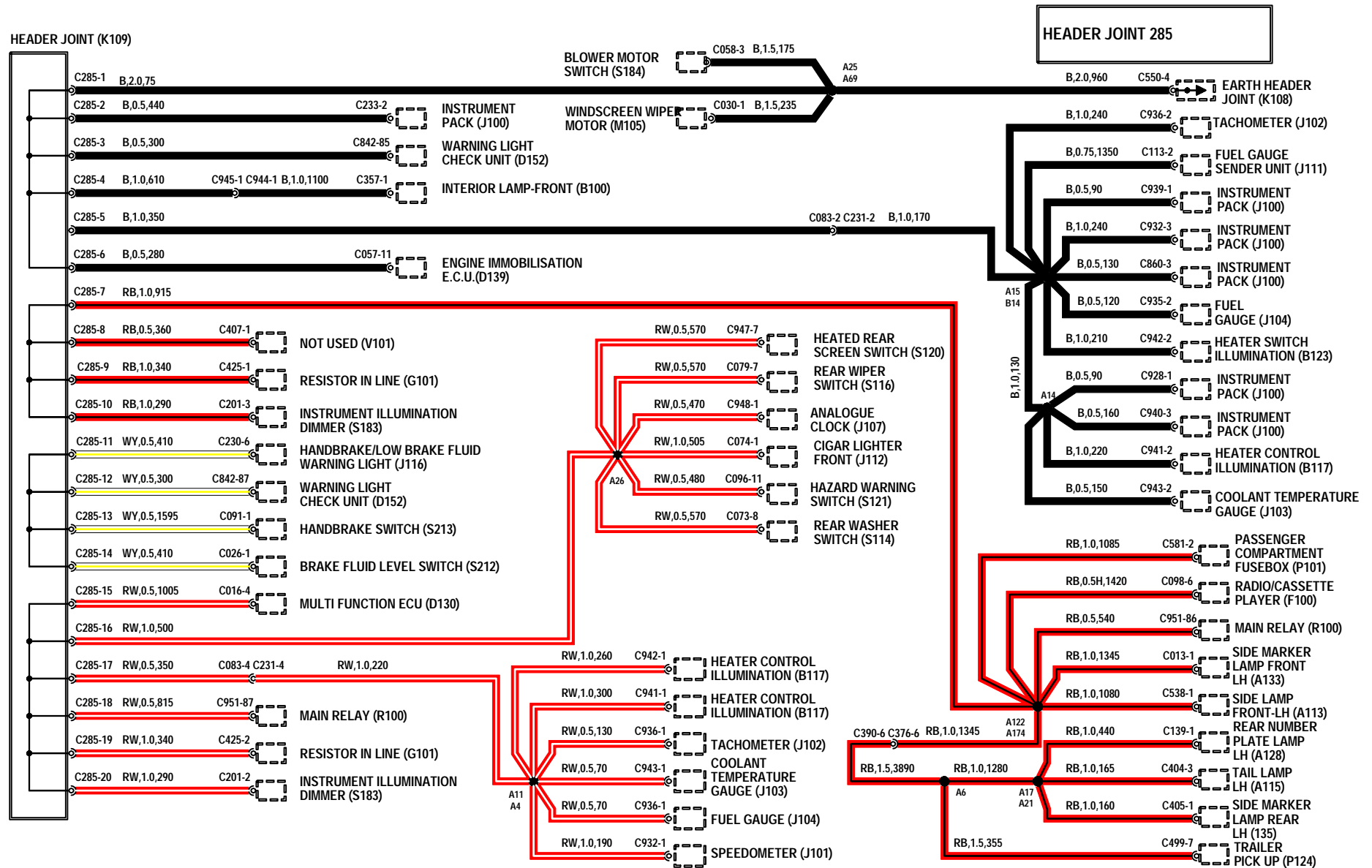
POWER DISTRIBUTION

HEADERS AND SPLICES



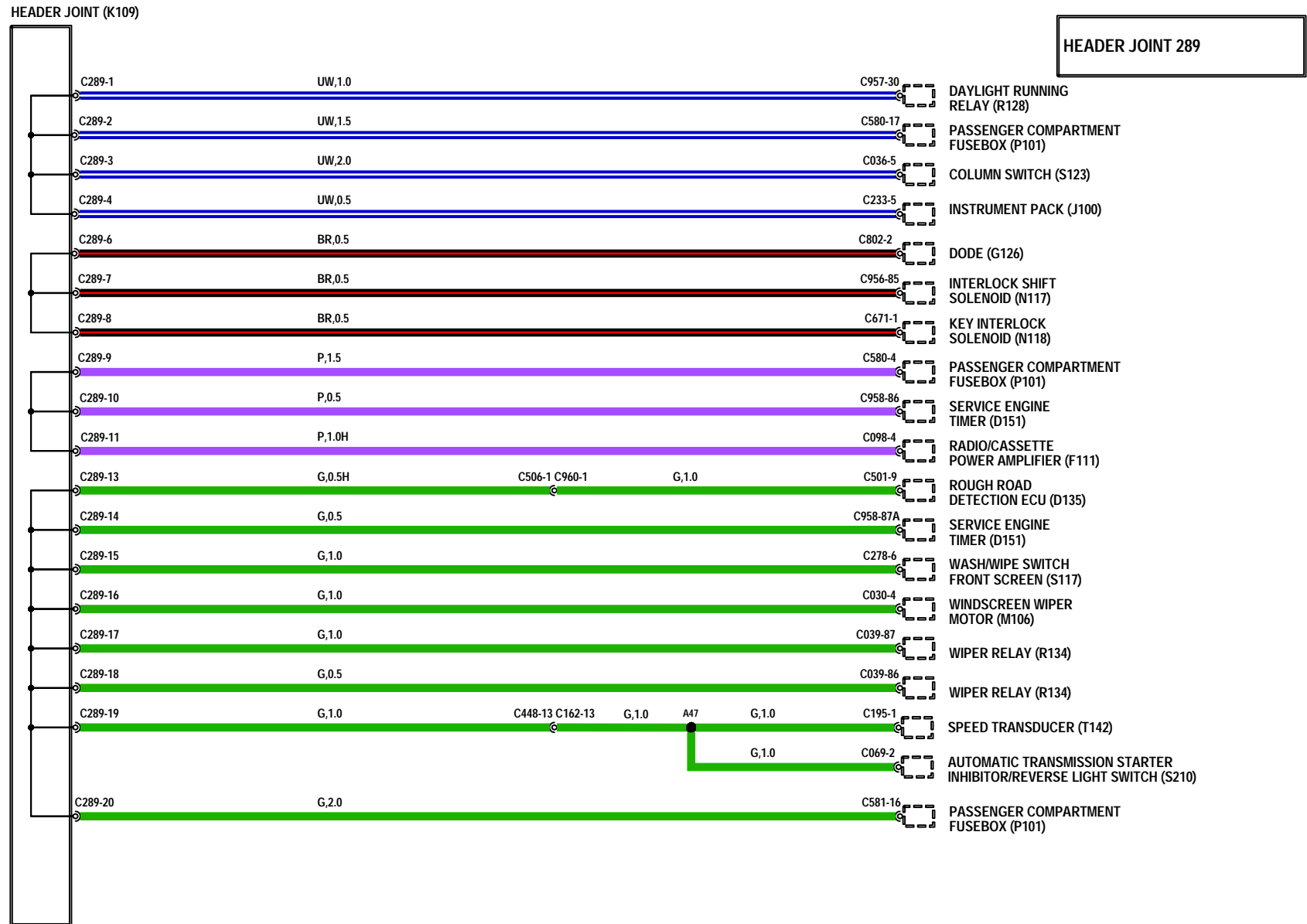
POWER DISTRIBUTION

HEADERS AND SPLICES



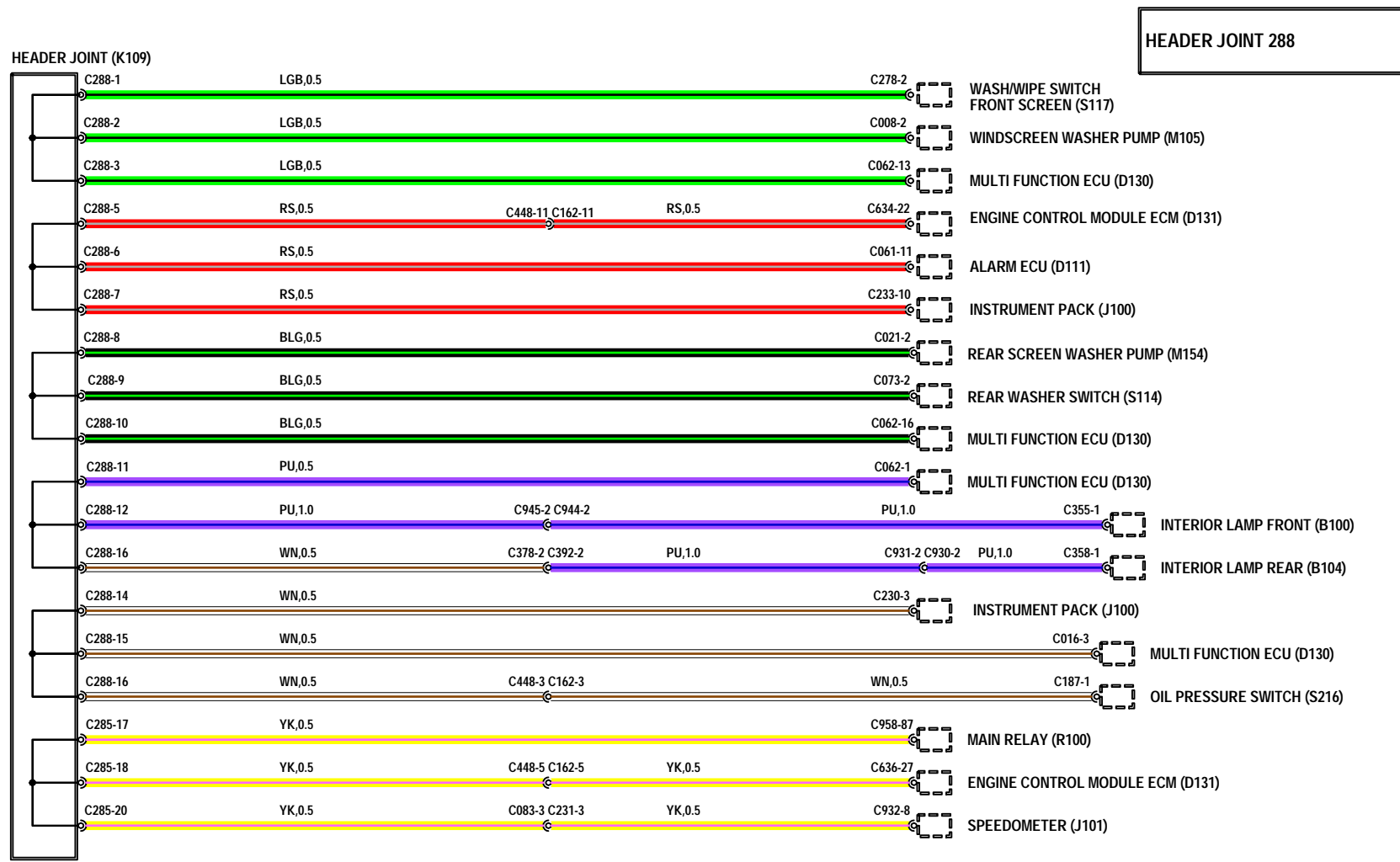
POWER DISTRIBUTION

HEADERS AND SPLICES

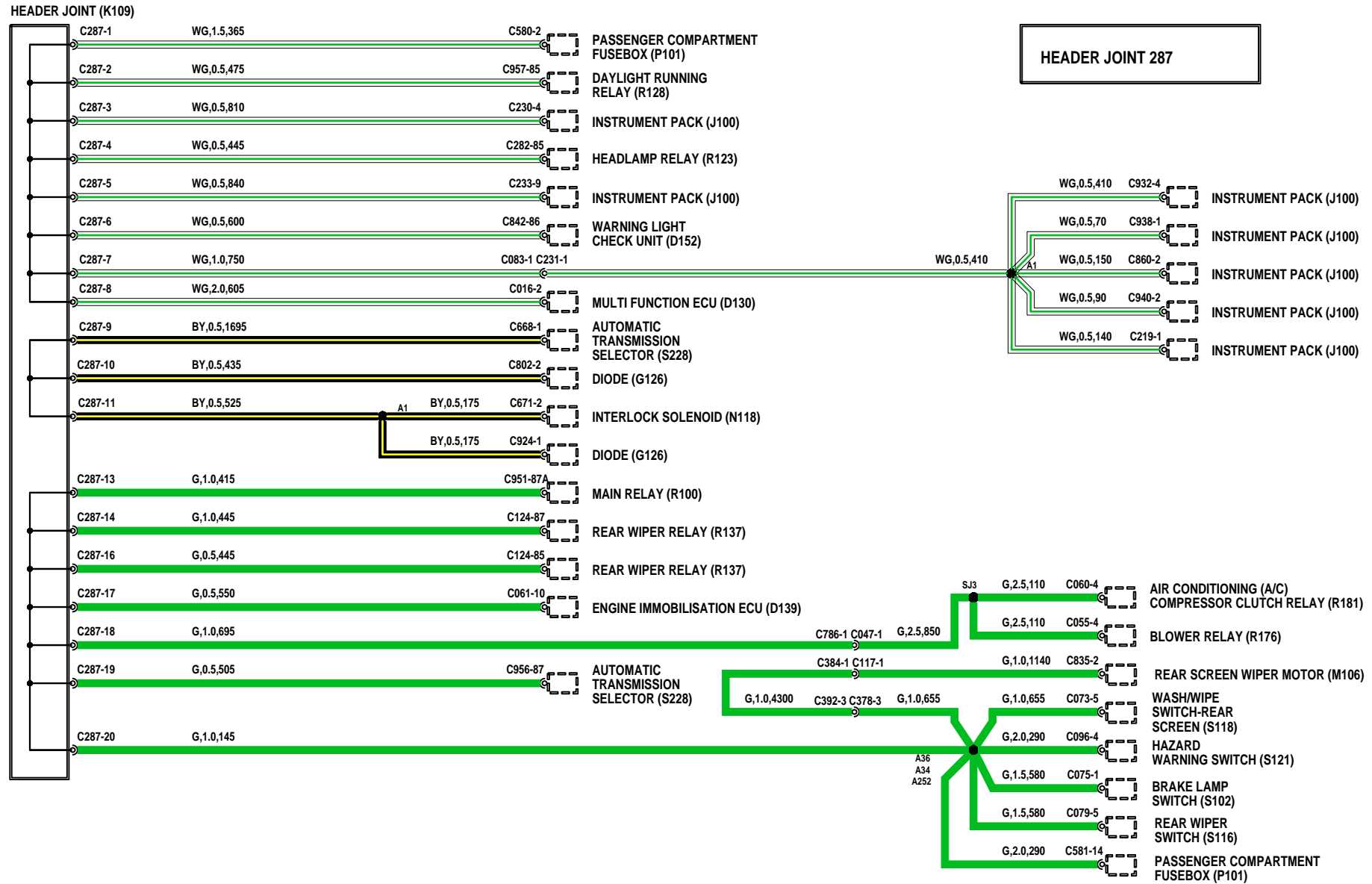


POWER DISTRIBUTION

HEADERS AND SPLICES

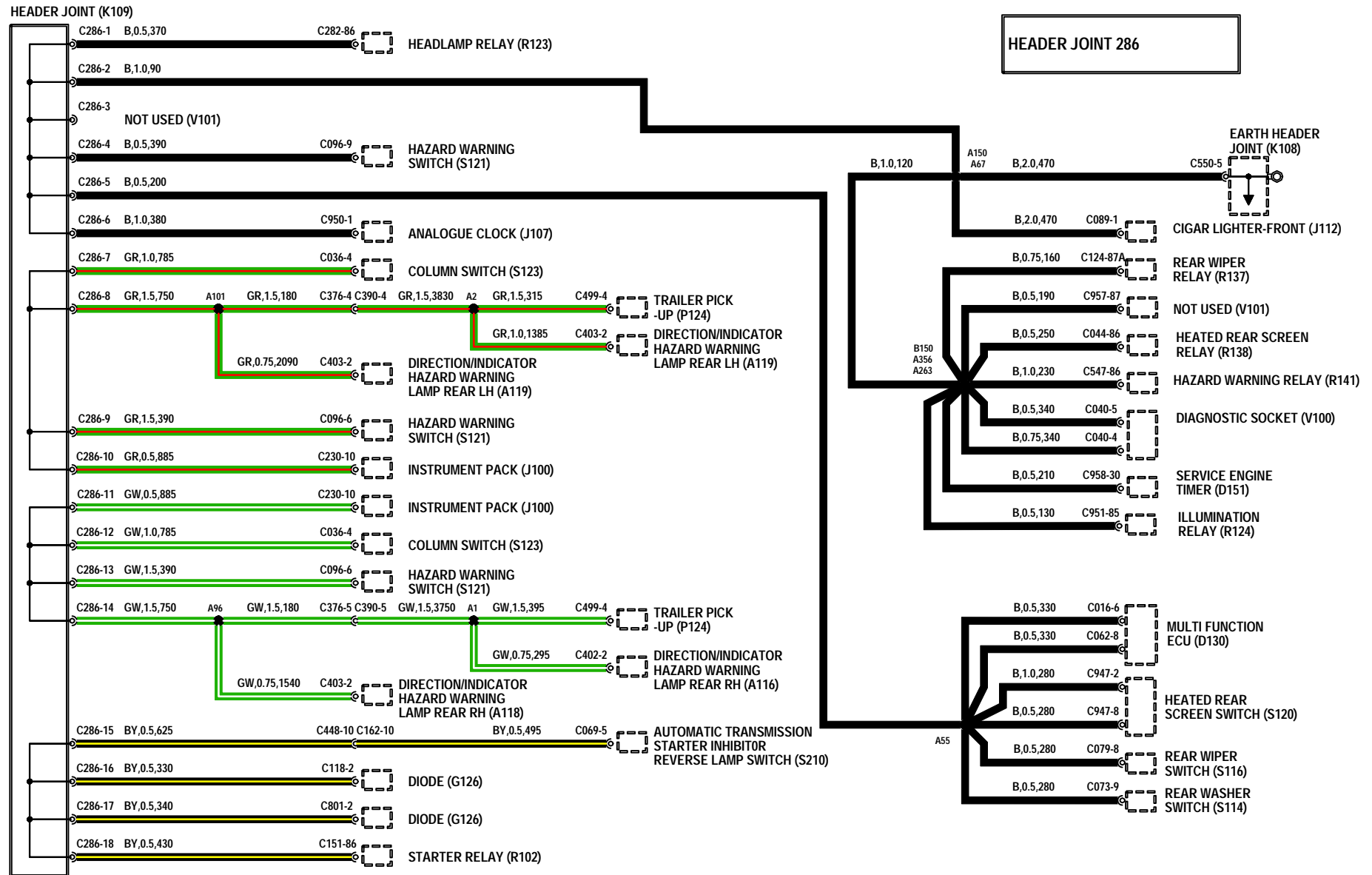


POWER DISTRIBUTION HEADERS AND SPLICES



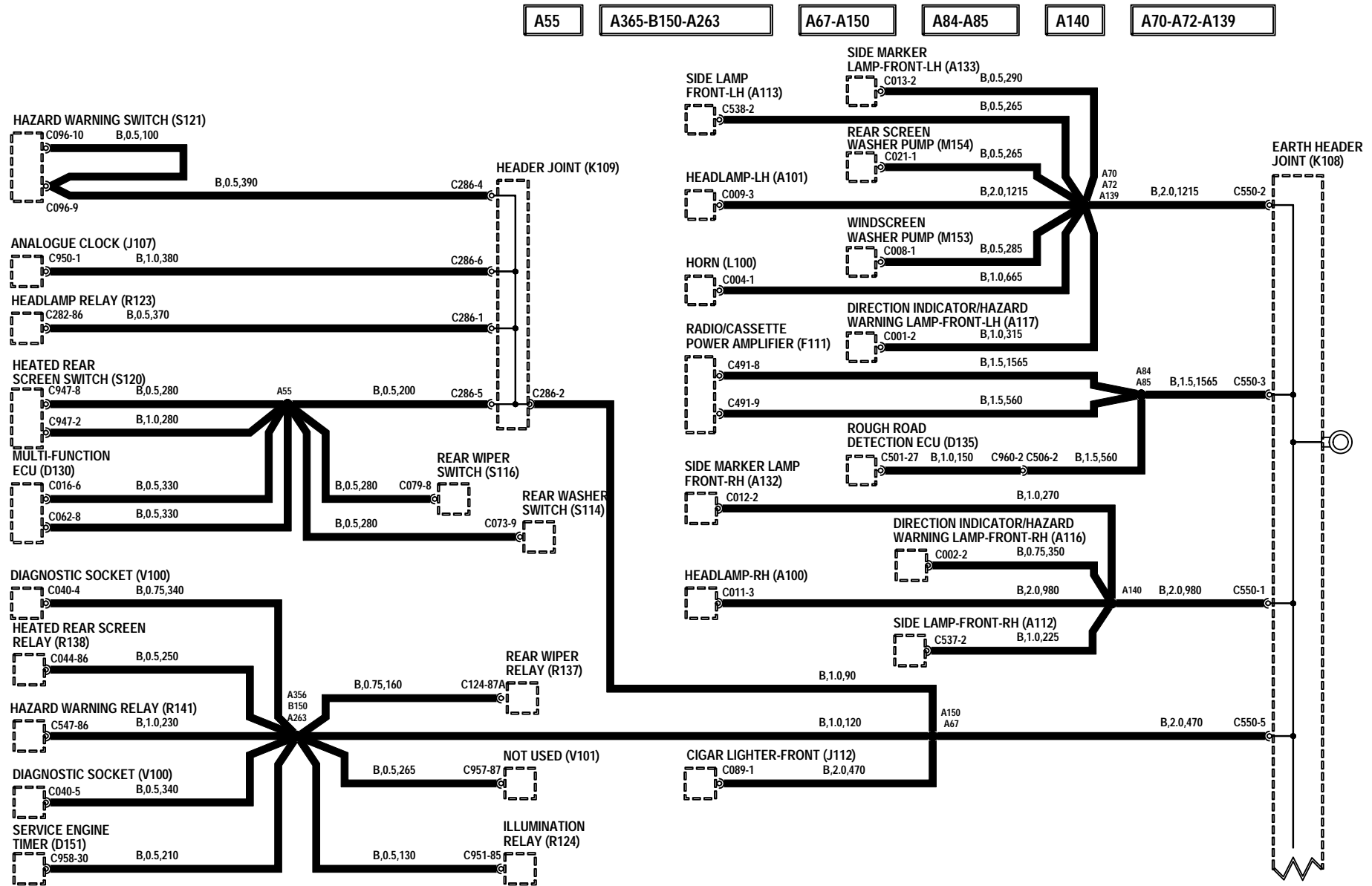
POWER DISTRIBUTION

HEADER AND SPLICES



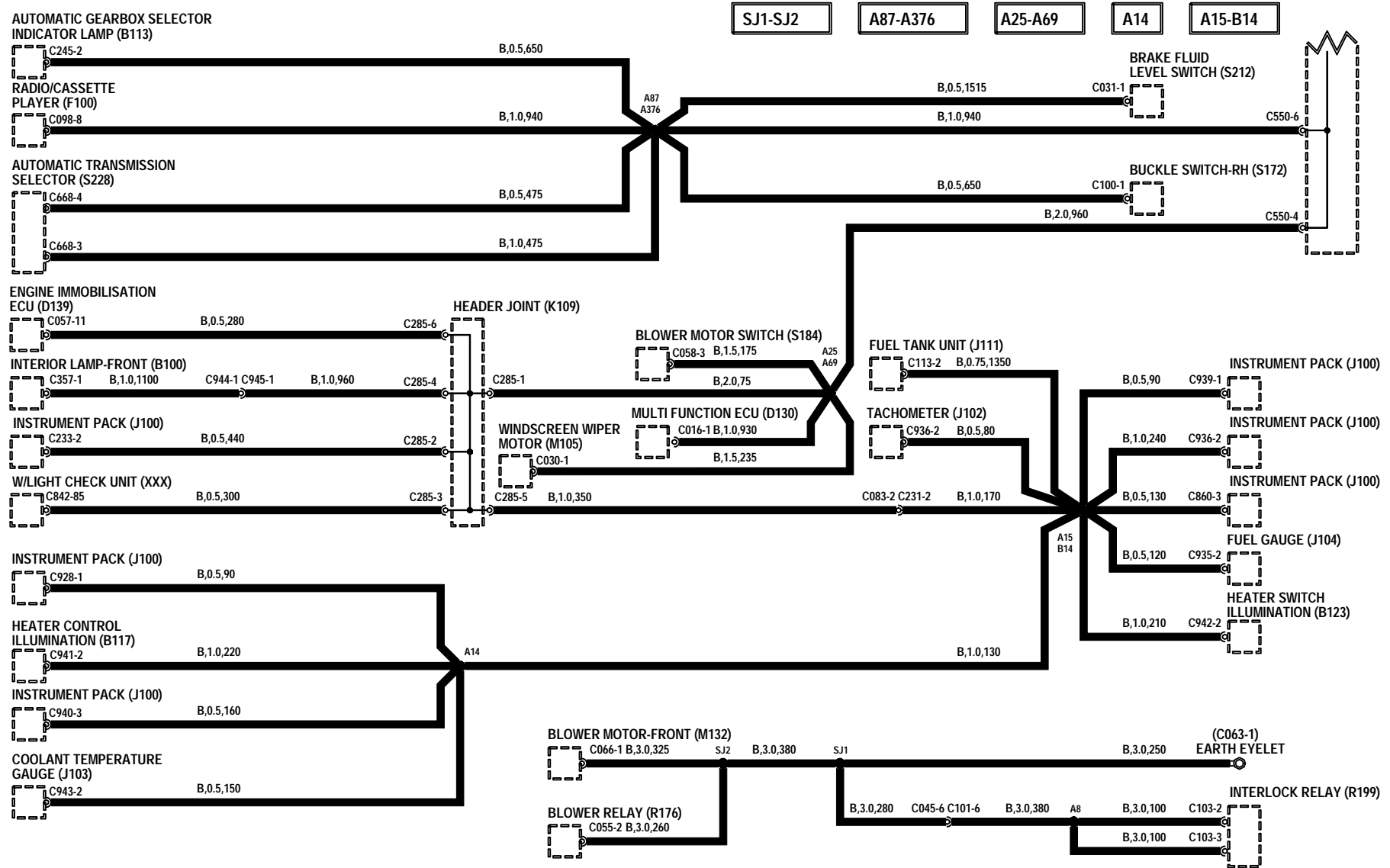
GROUND DISTRIBUTION

HEADERS AND SPLICES



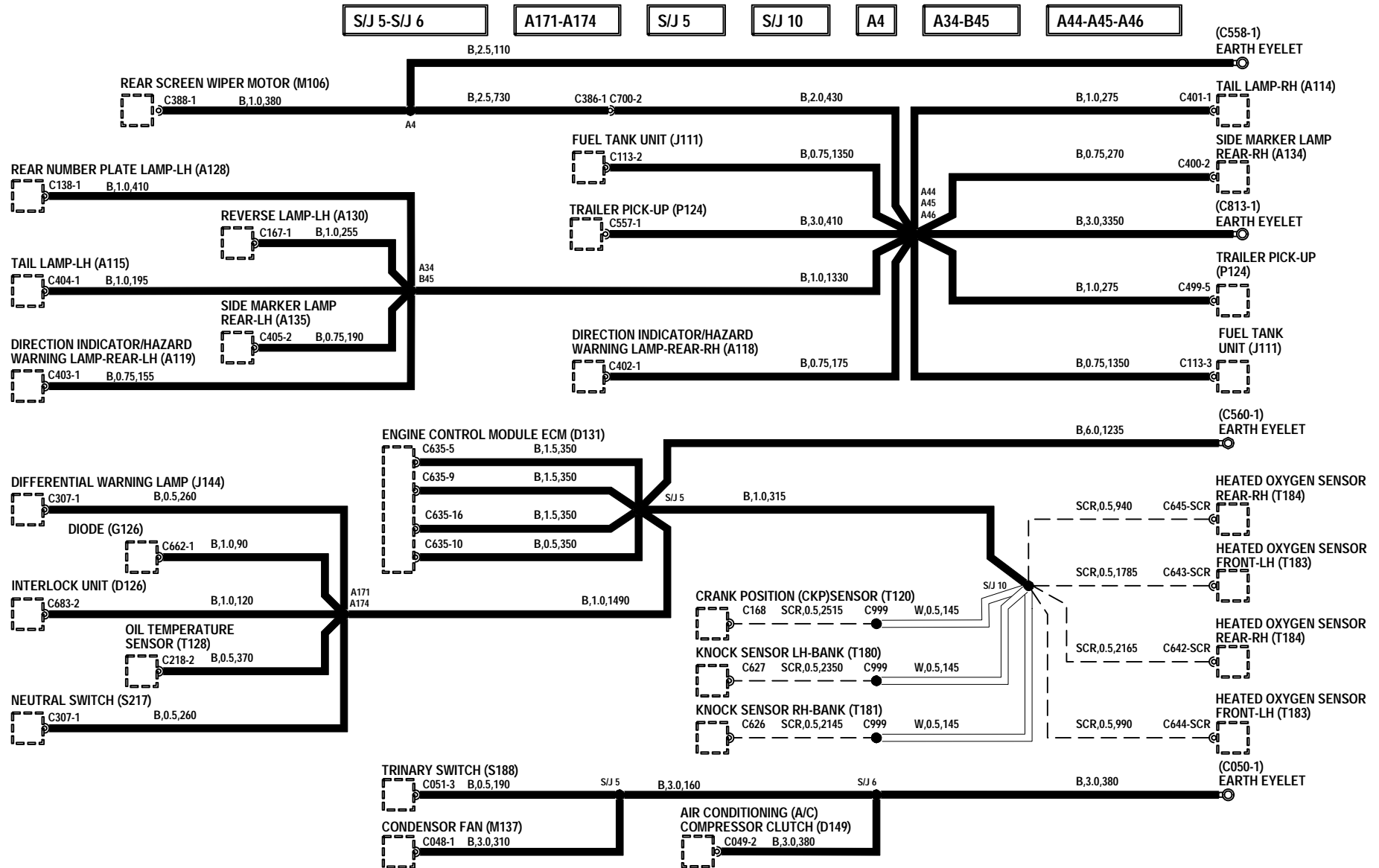
GROUND DISTRIBUTION

HEADER AND SPLICES

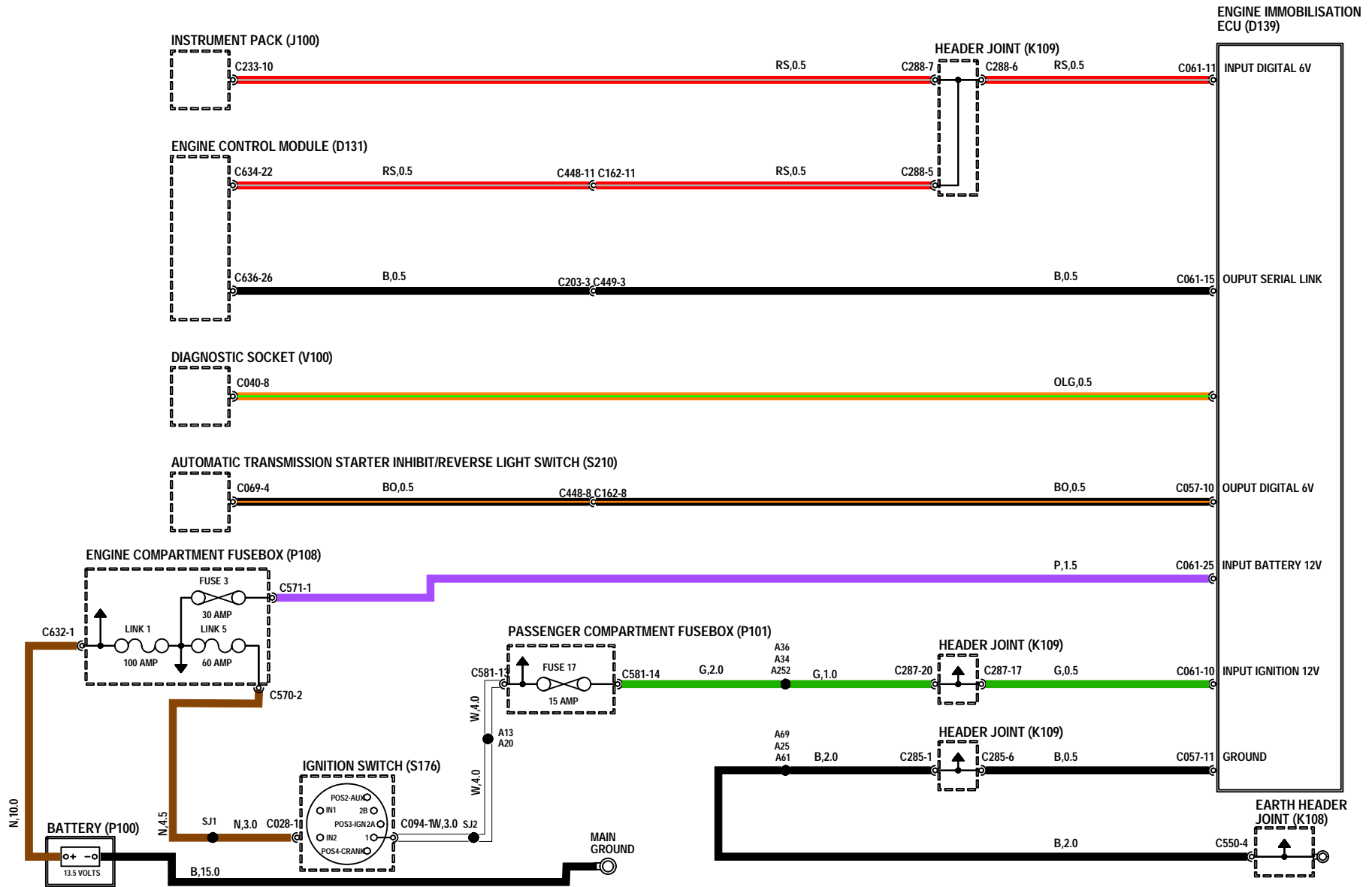


GROUND DISTRIBUTION

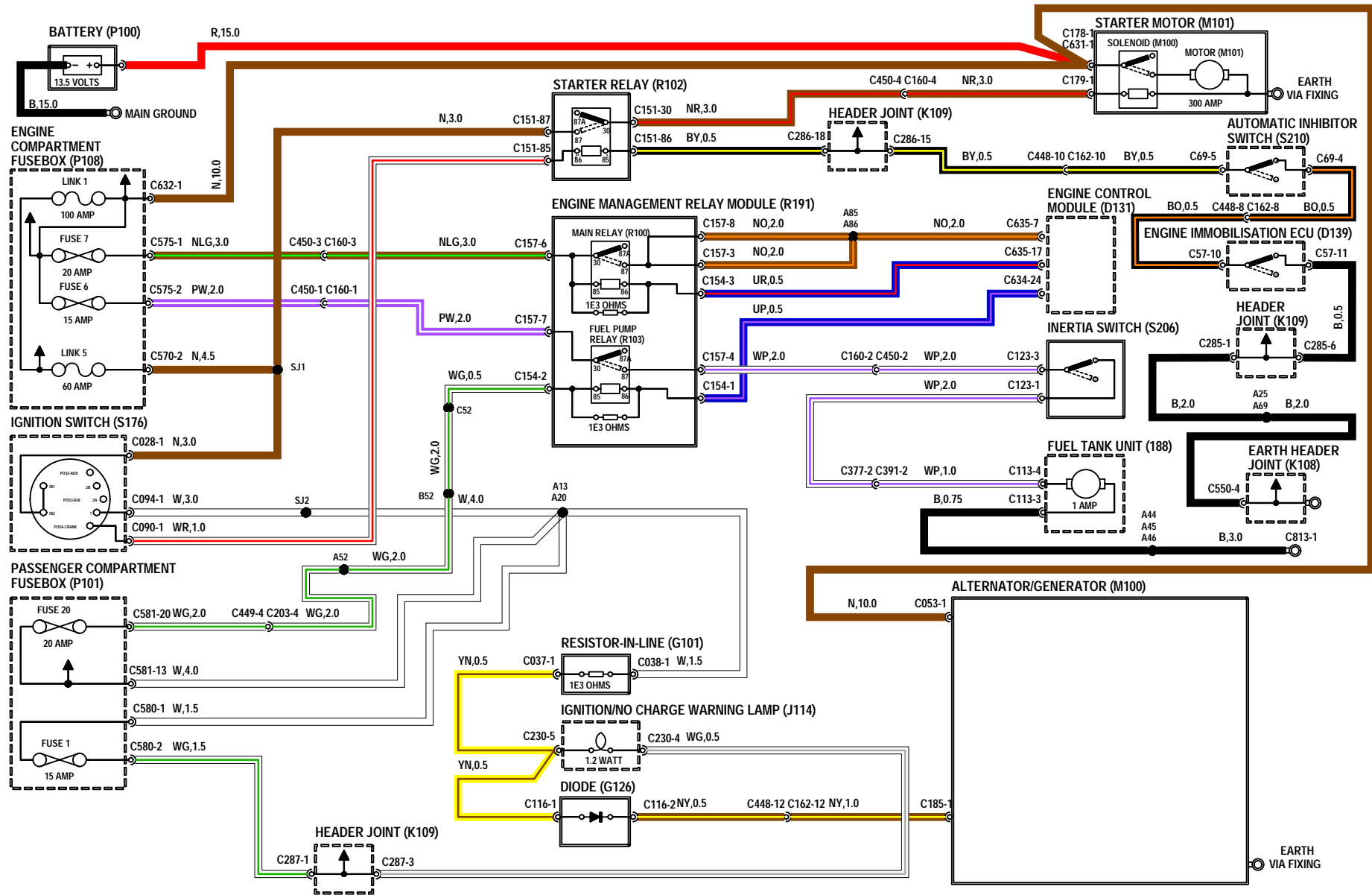
HEADER AND SPLICES



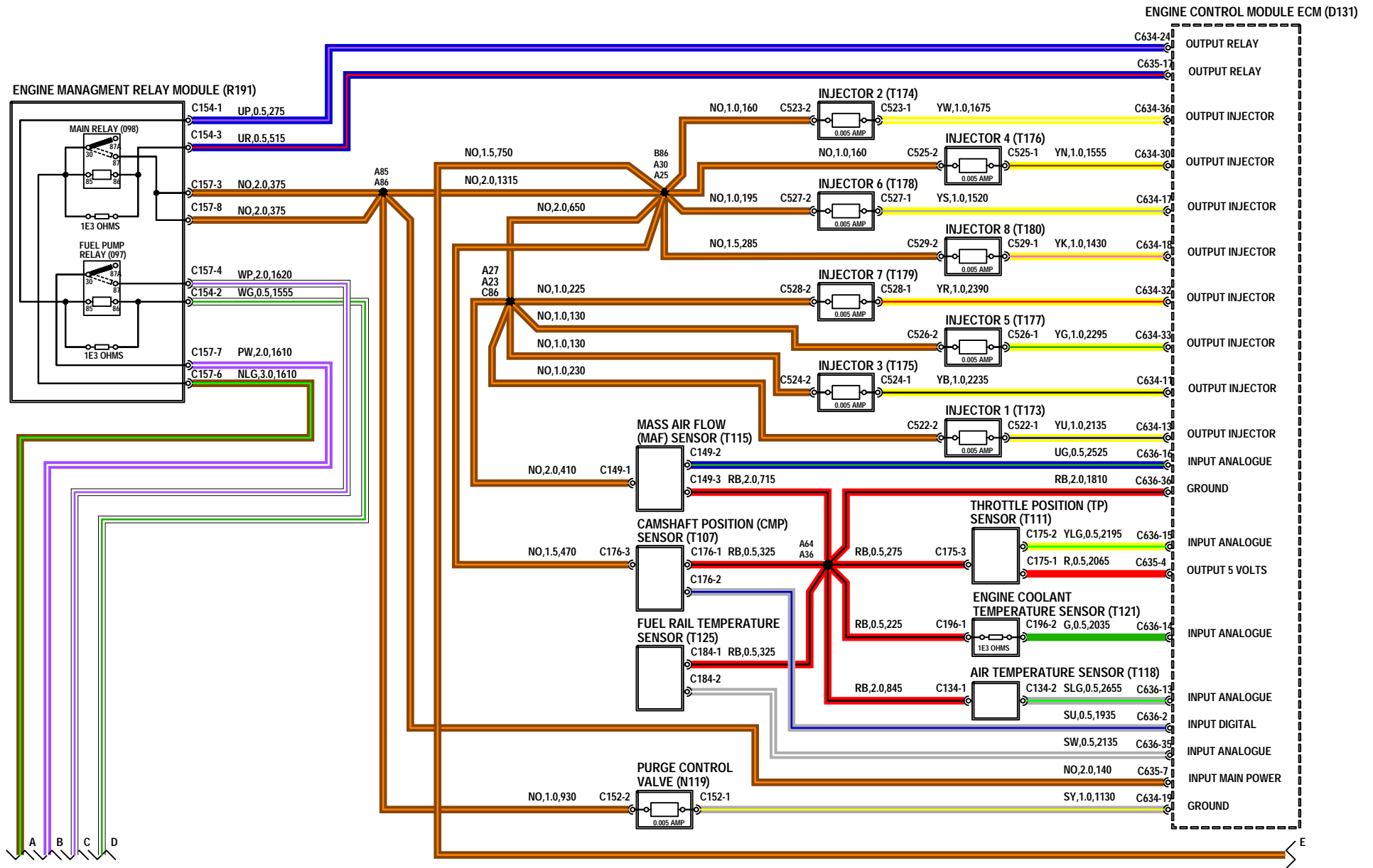
ENGINE IMMOBILISATION



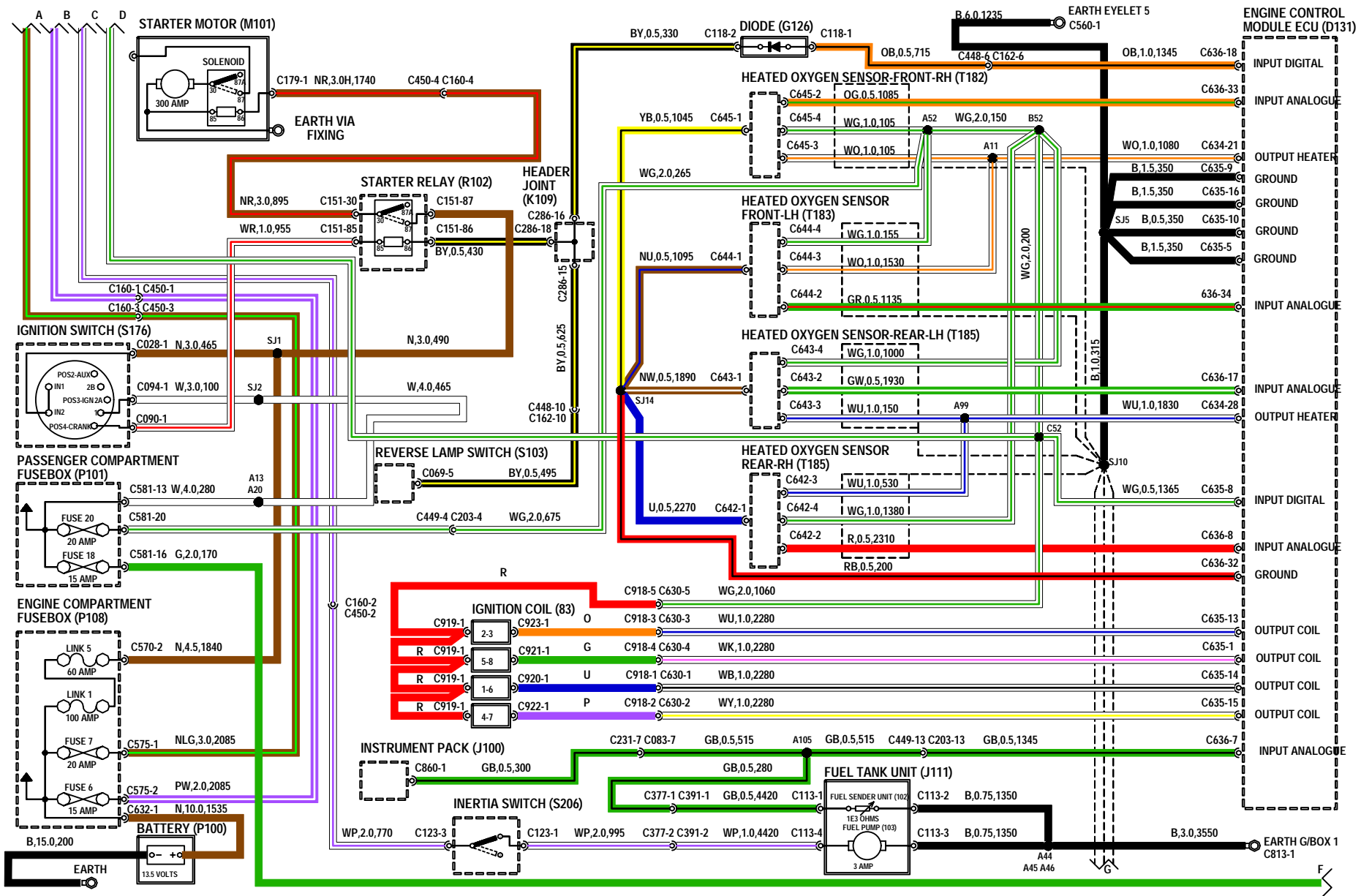
CHARGING AND STARTING



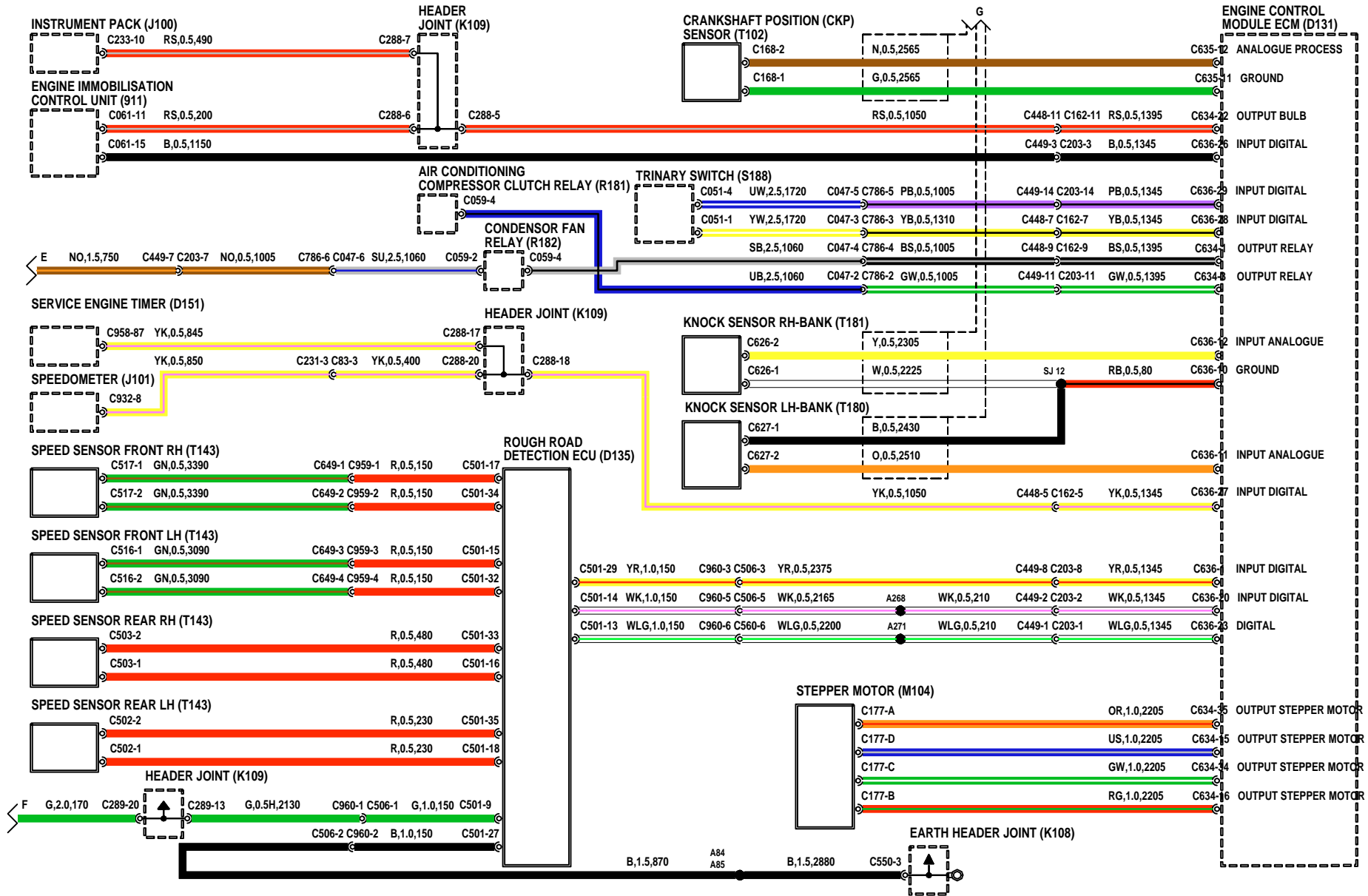
ENGINE MANAGEMENT SYSTEM



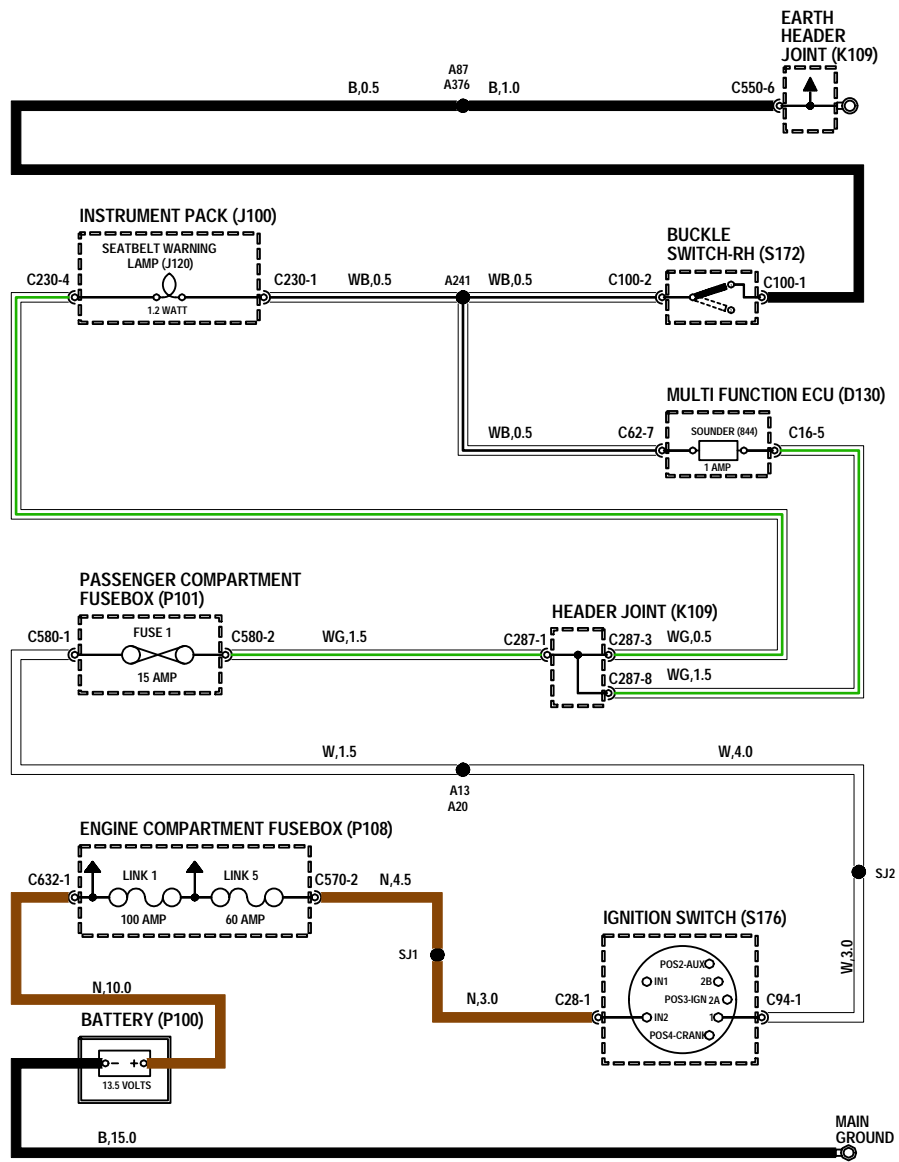
ENGINE MANAGEMENT SYSTEM



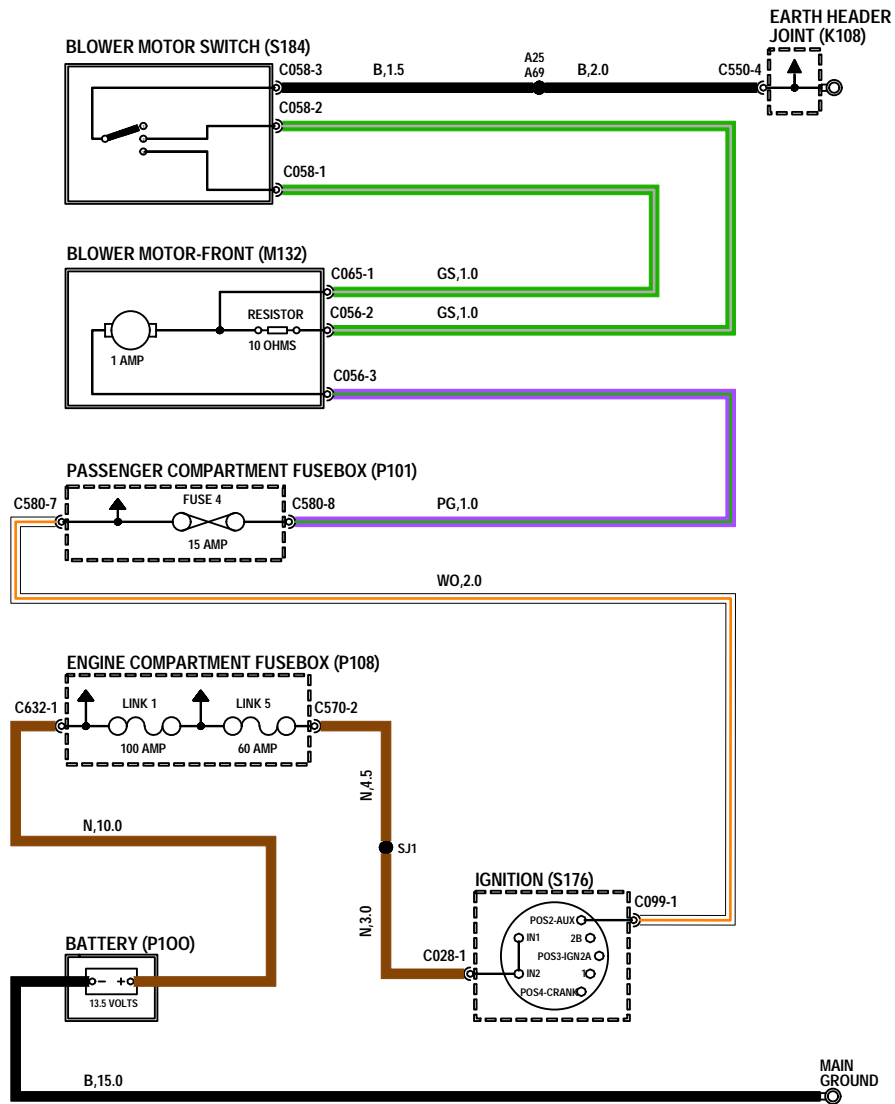
ENGINE MANAGEMENT SYSTEM



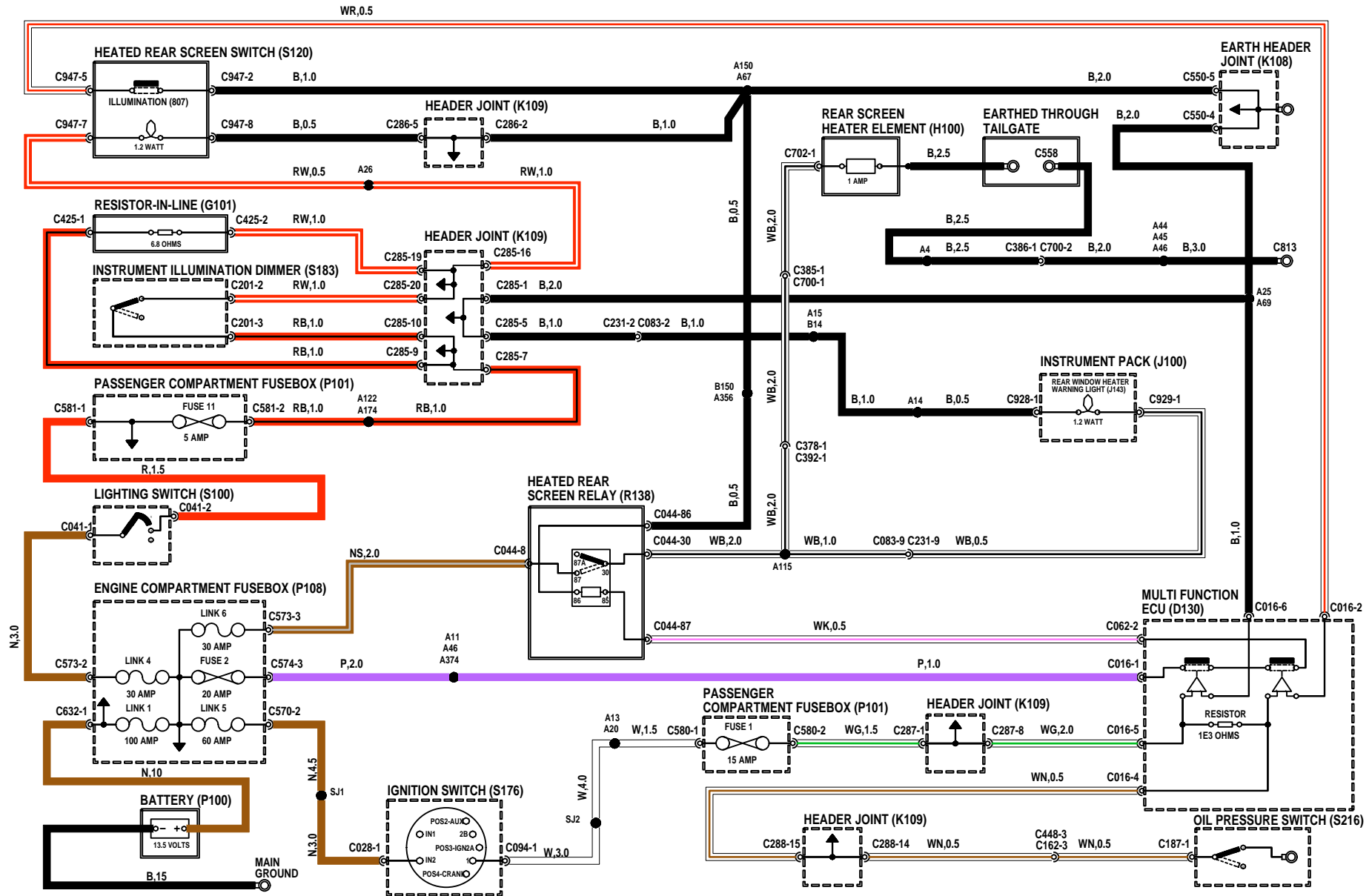
SEATBELT WARNING



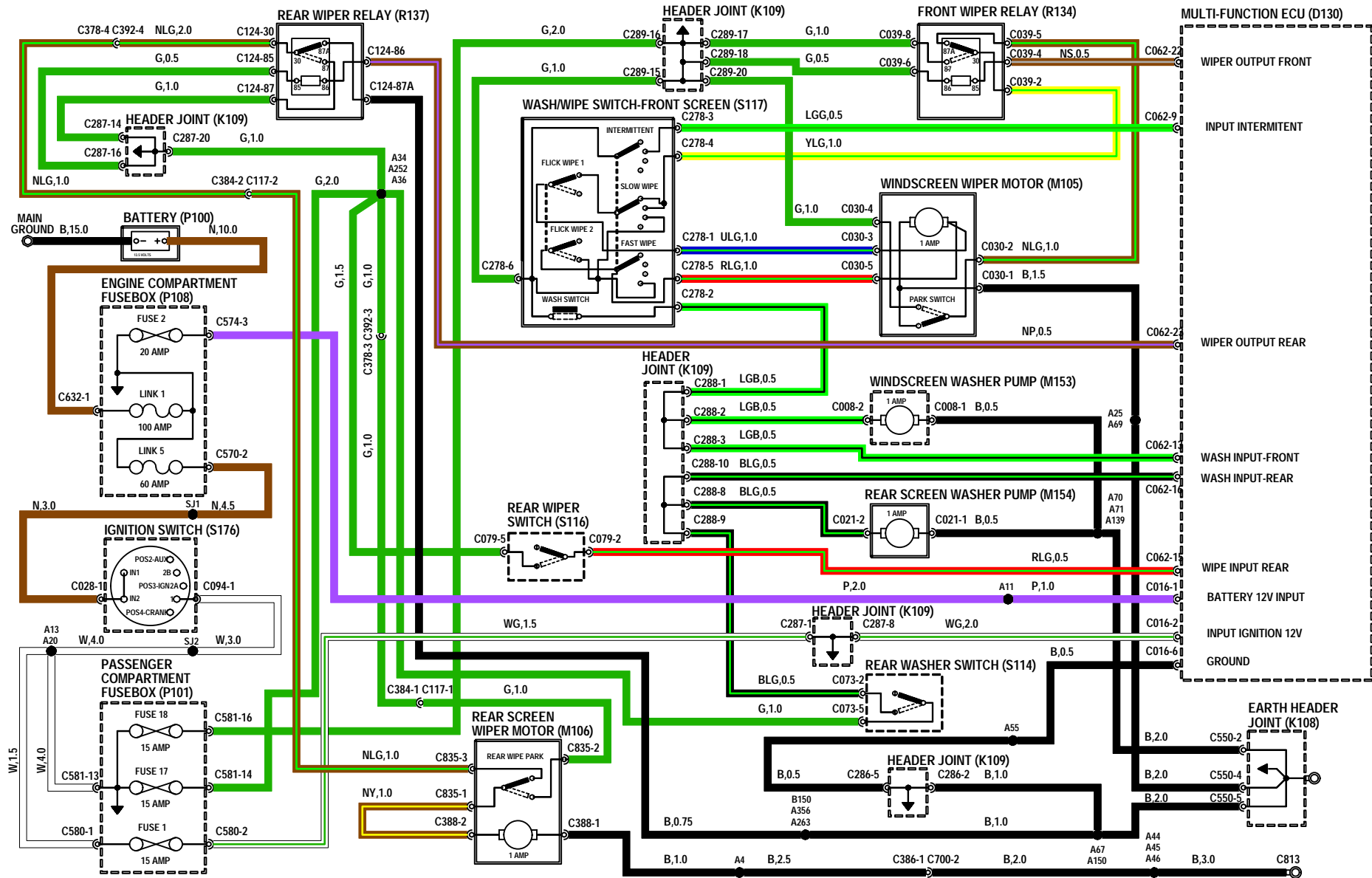
HEATER BLOWER



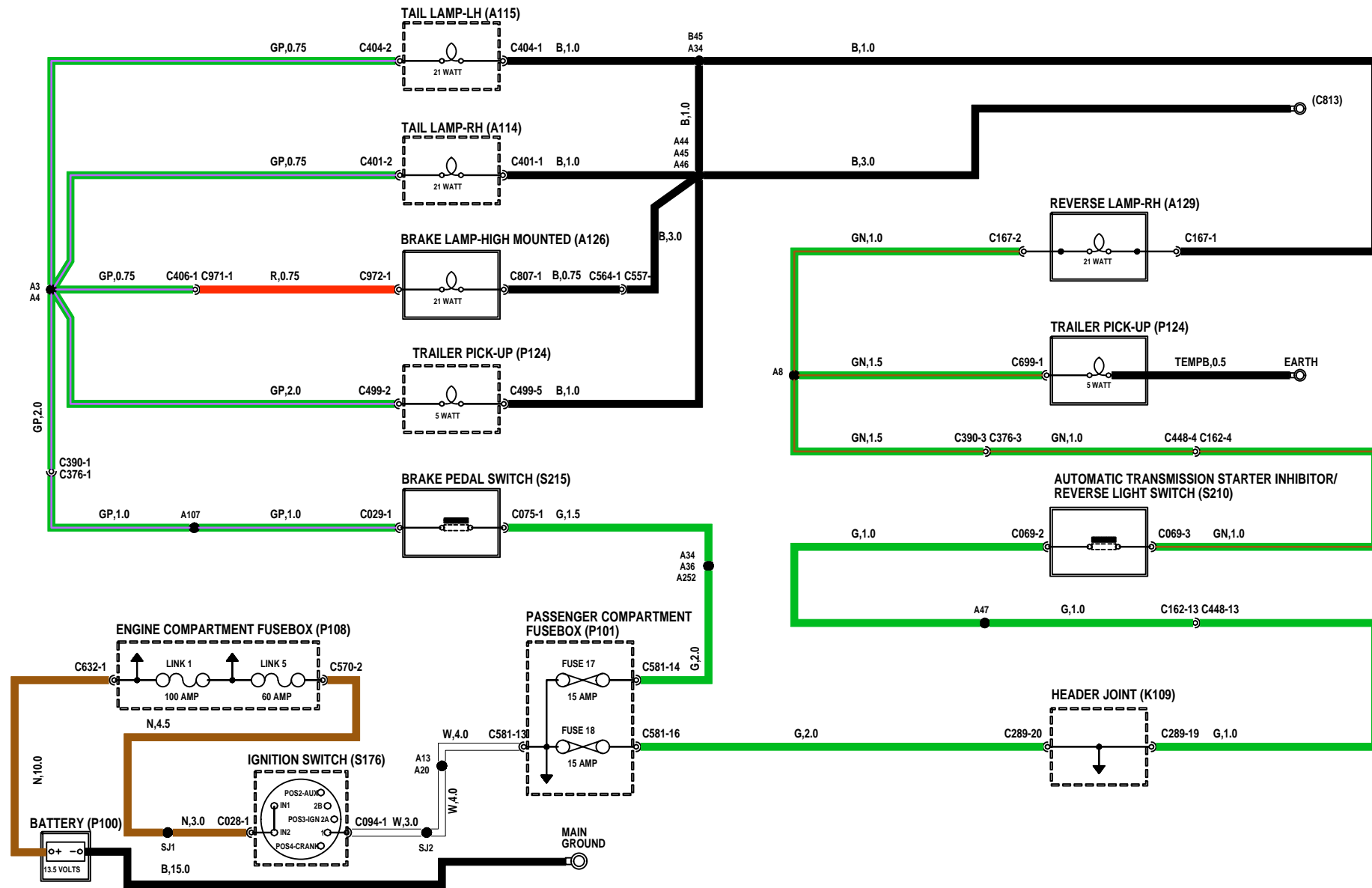
HEATED REAR WINDOW



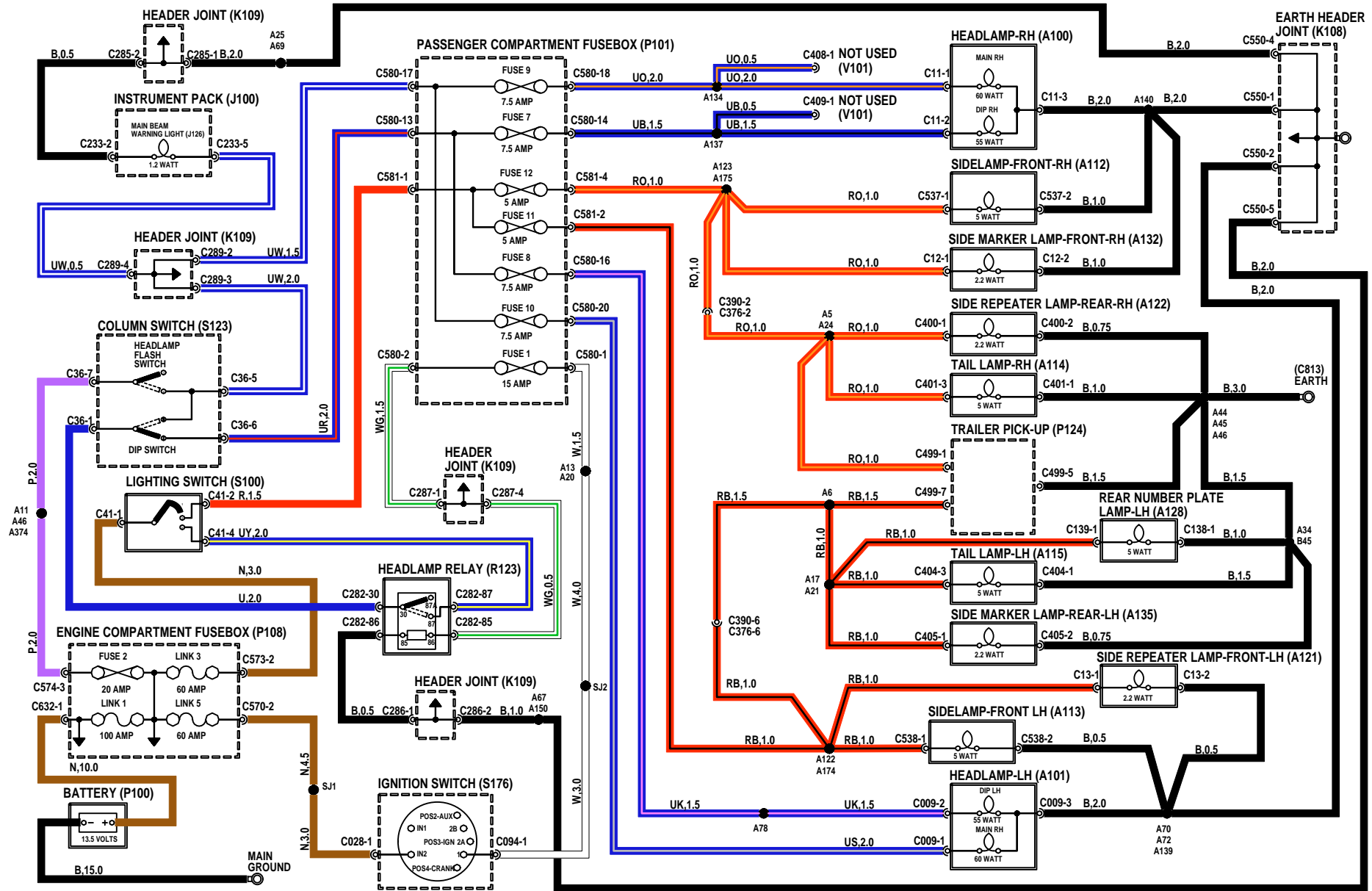
WIPERS AND WASHERS



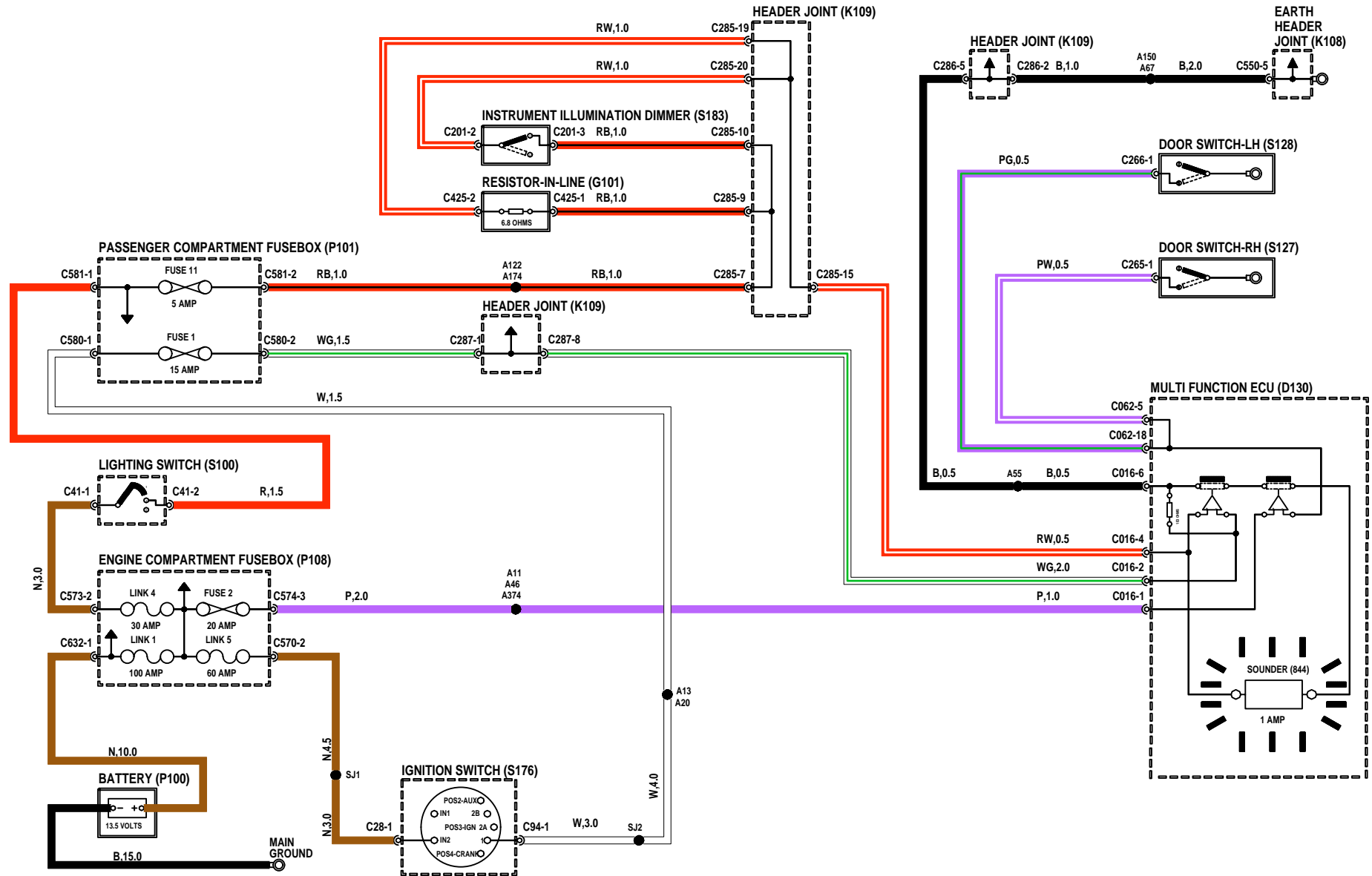
EXTERIOR LAMPS BRAKE AND REVERSE LAMPS



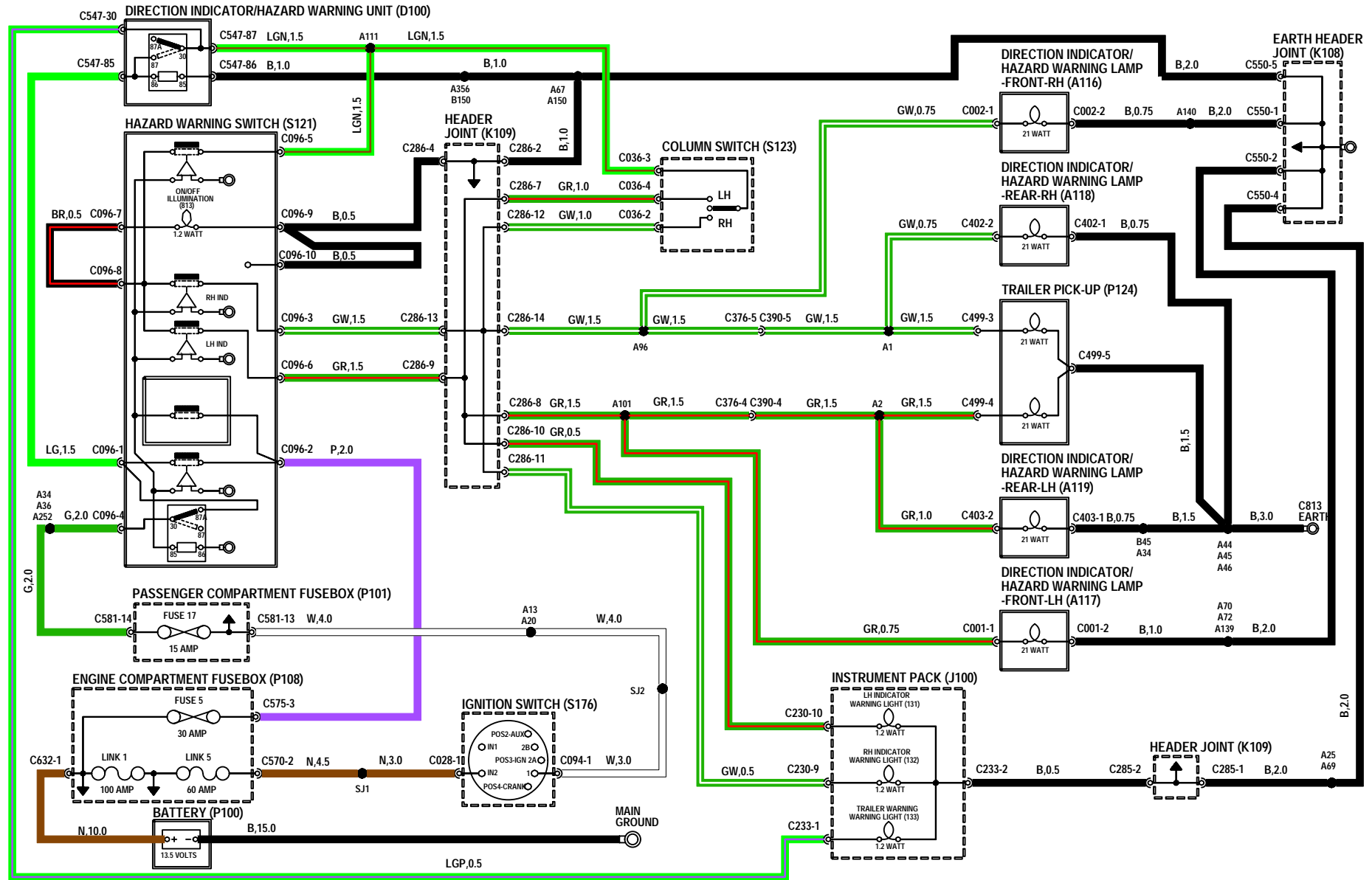
EXTERIOR LAMPS HEAD, SIDE, TAIL AND NUMBER PLATE LAMPS



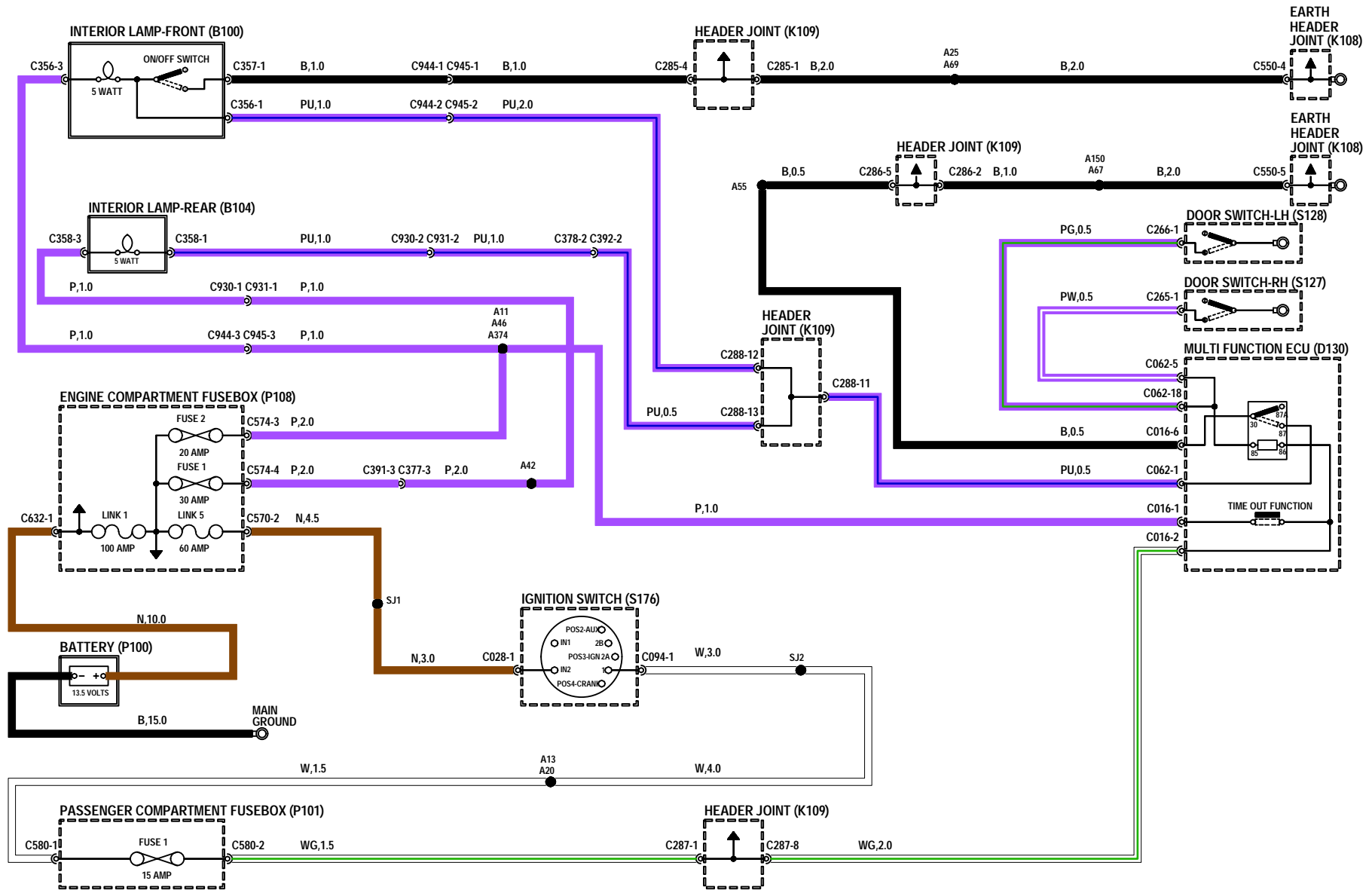
EXTERIOR LAMPS LIGHTS ON ALARM



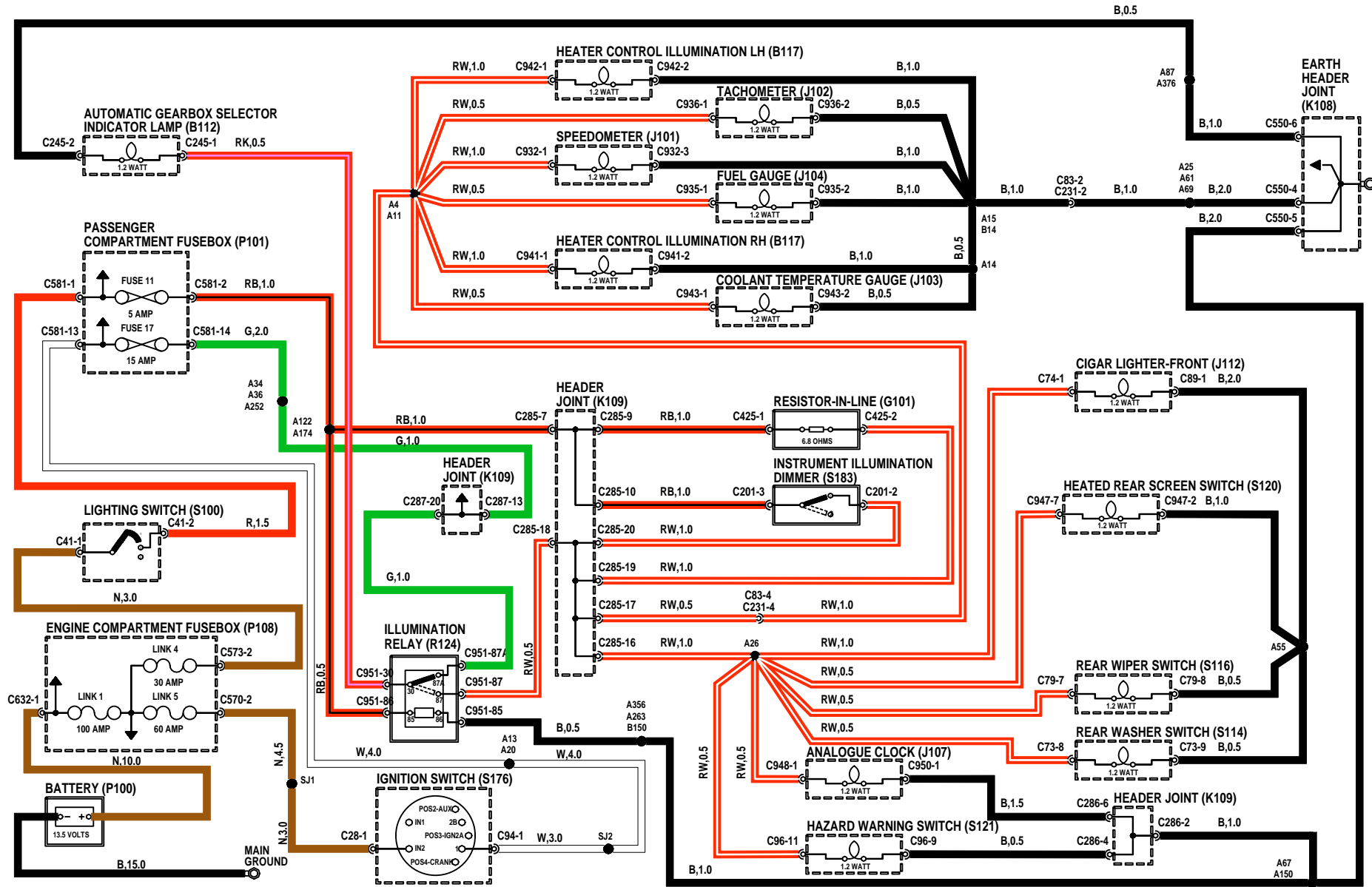
INDICATORS AND HAZARDS



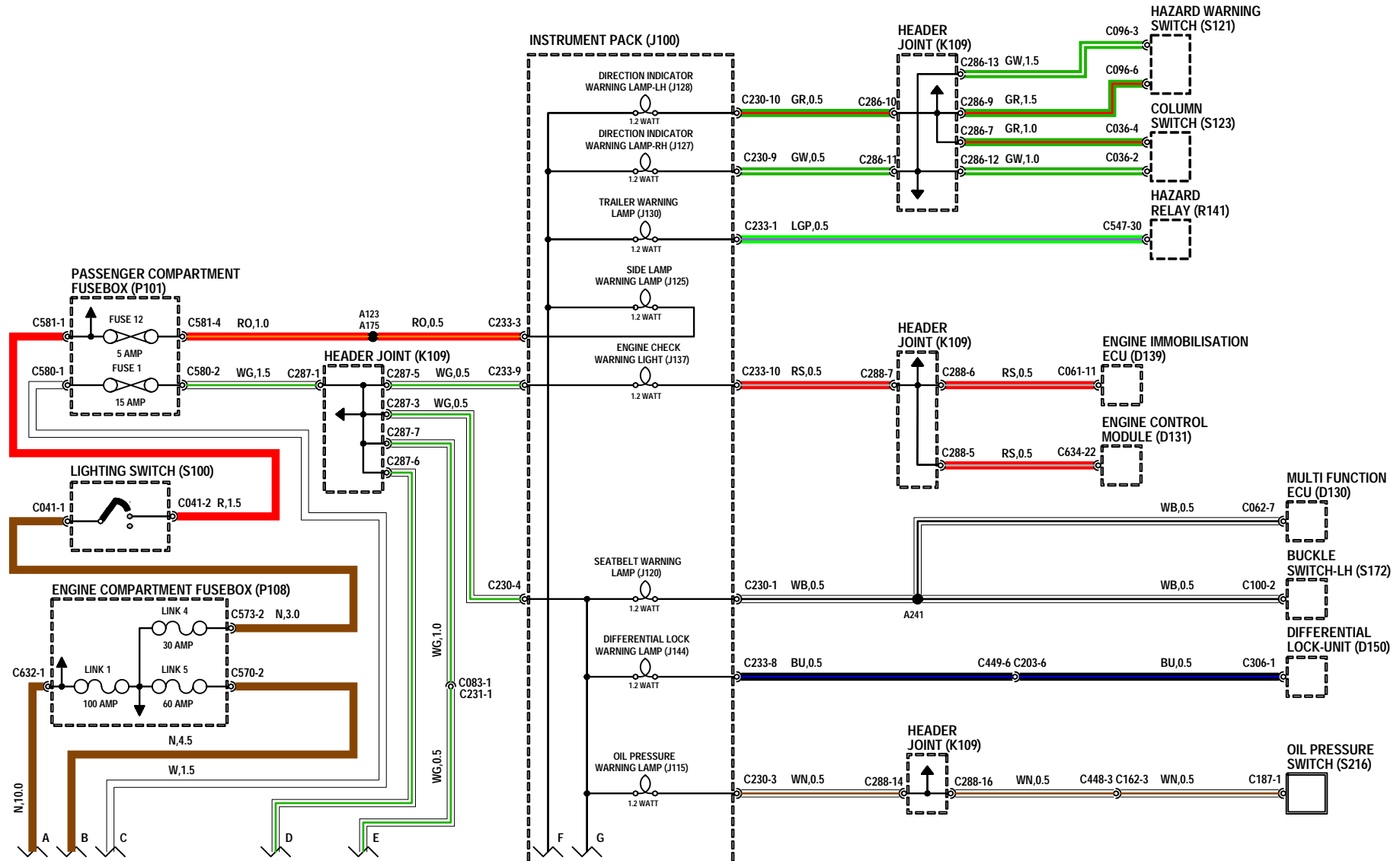
INTERIOR LAMPS



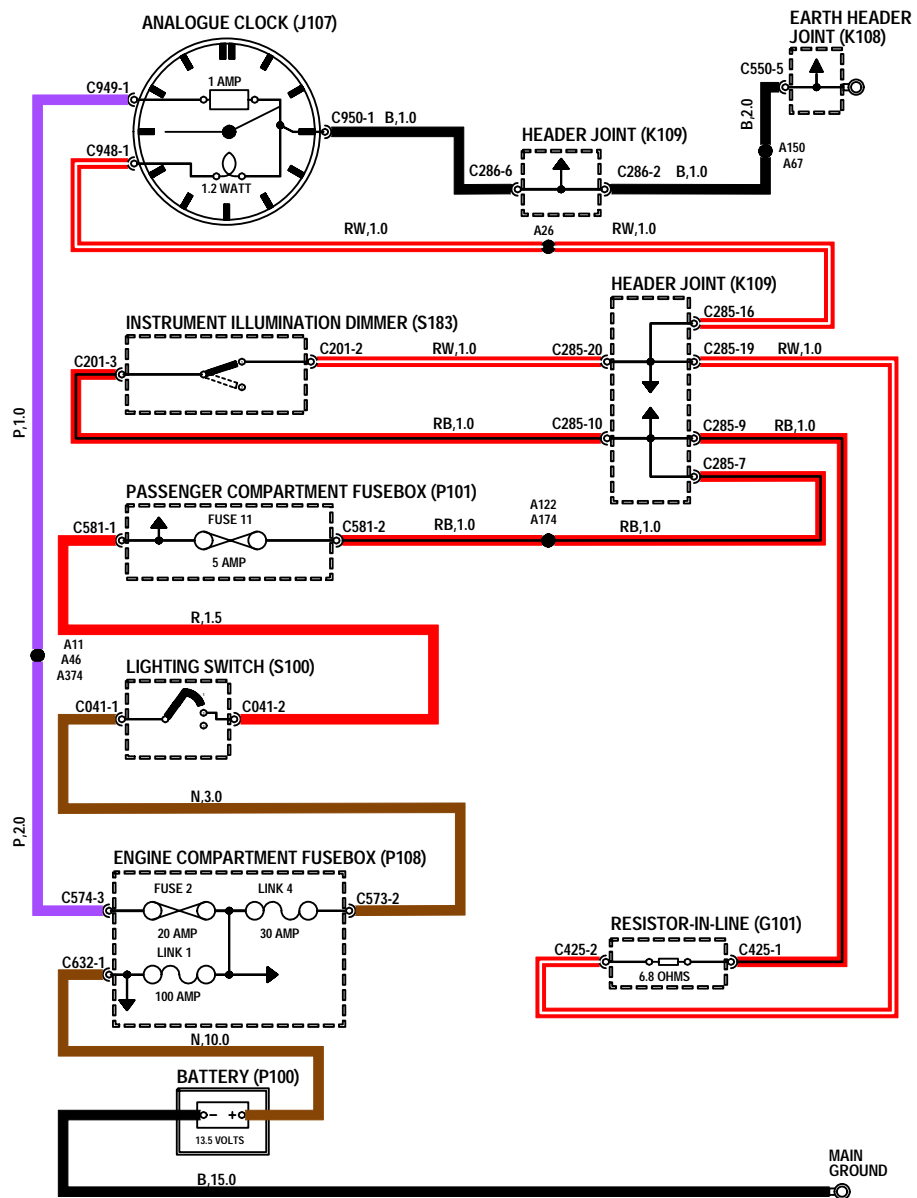
INTERIOR ILLUMINATION



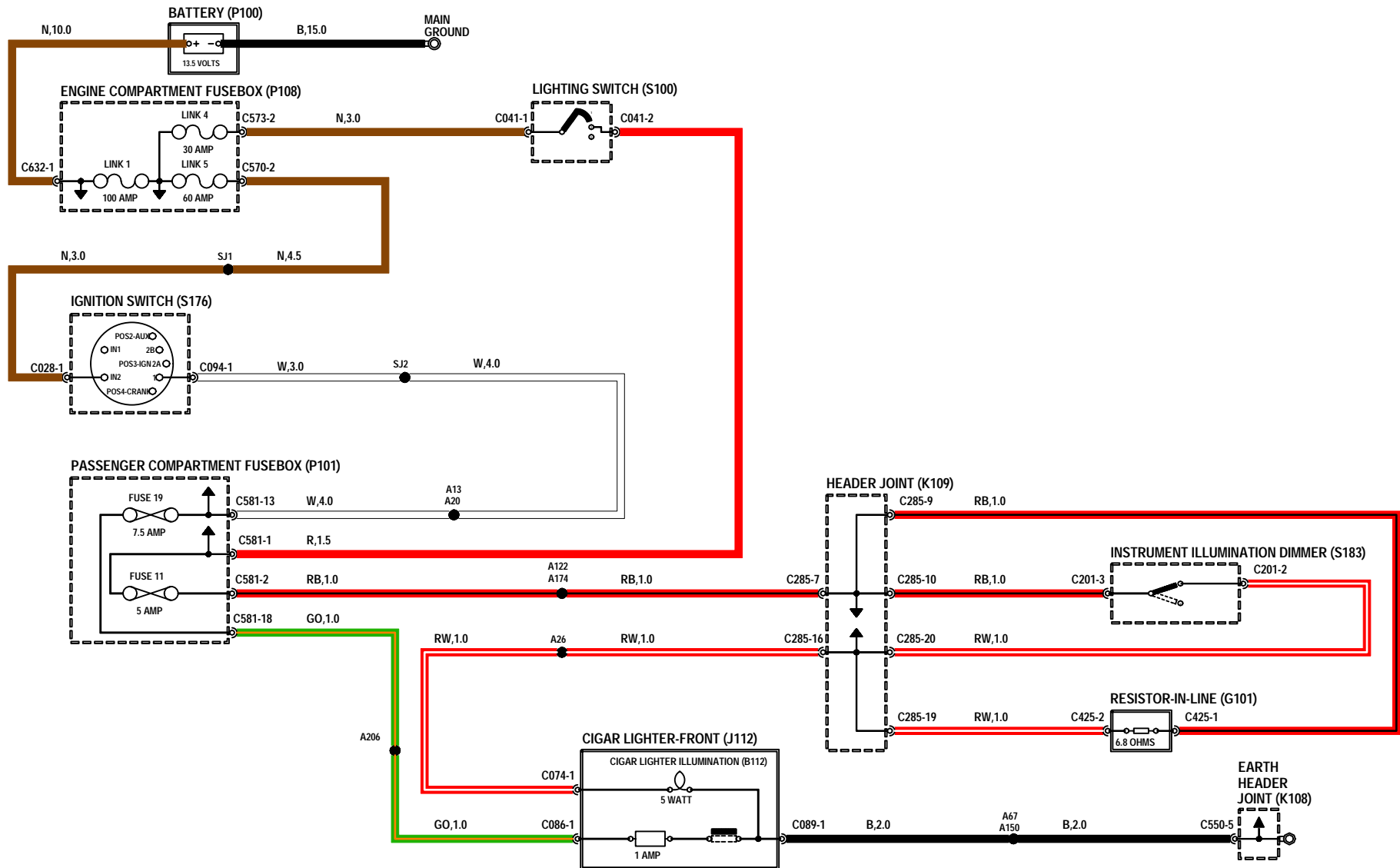
INSTRUMENTS



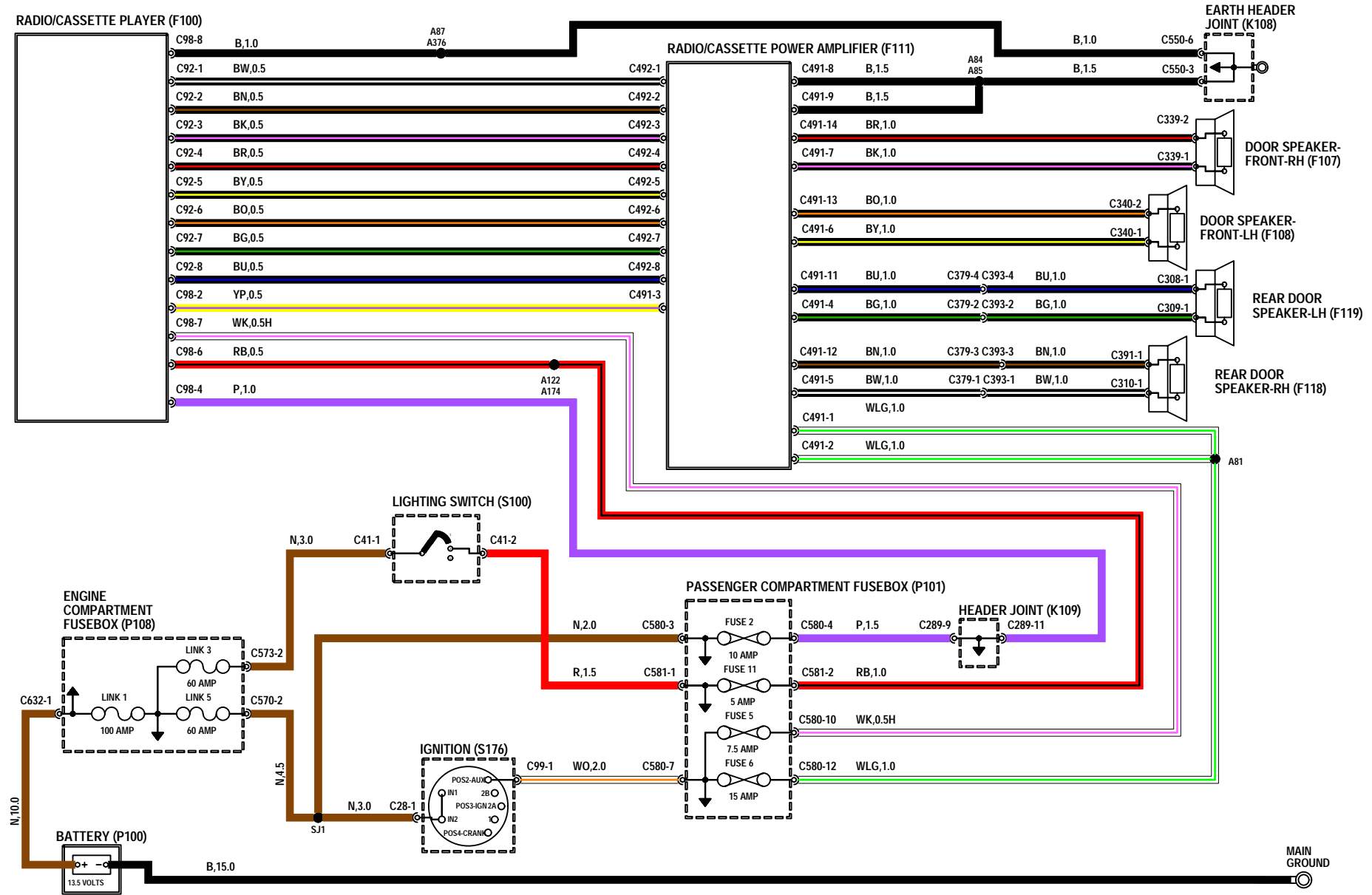
CLOCK



CIGAR LIGHTER



IN-CAR ENTERTAINMENT



IGNITION AND SHIFT INTERLOCK

